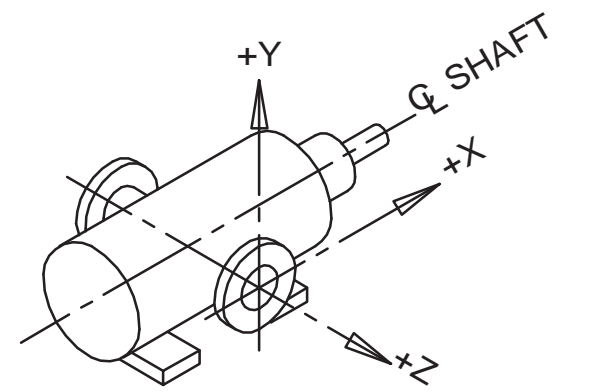
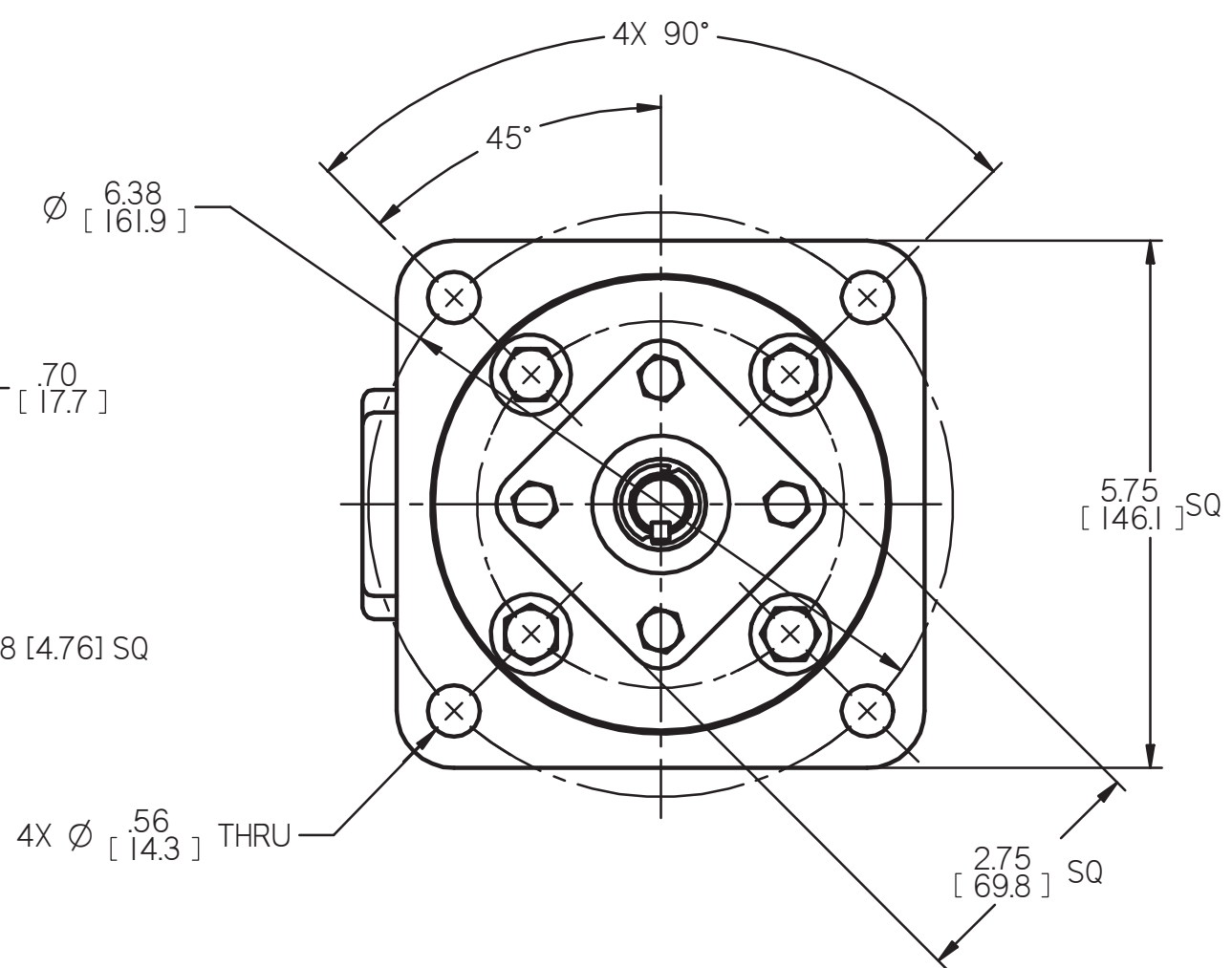
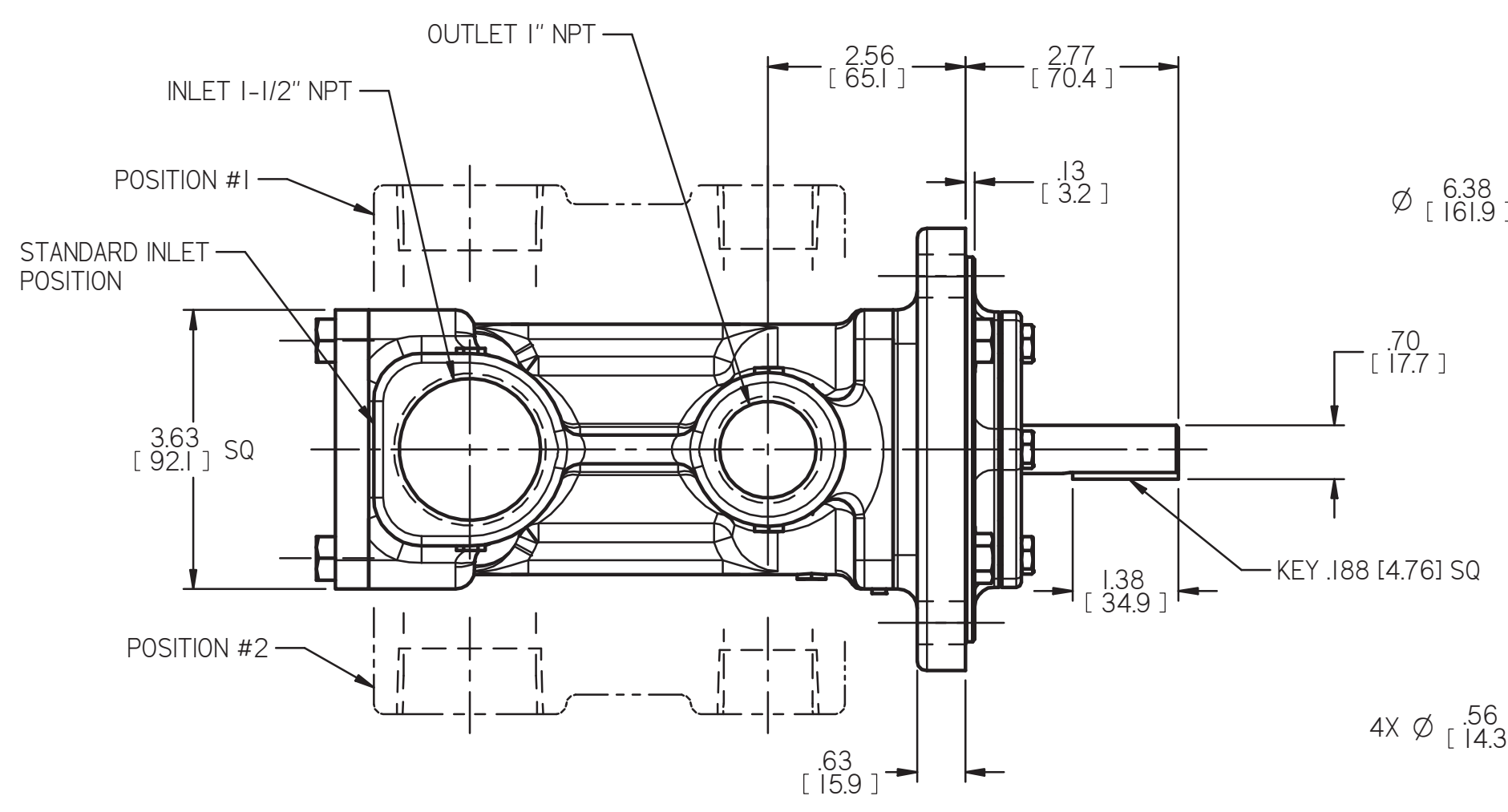


REVISION HISTORY						
CHG NO	ZONE	REV	DESCRIPTION	DATE	BY	APPROVED
13-0319	ALL	3	REDRAWN AND UPDATED ON CAD	6-6-14	ERH	CHH

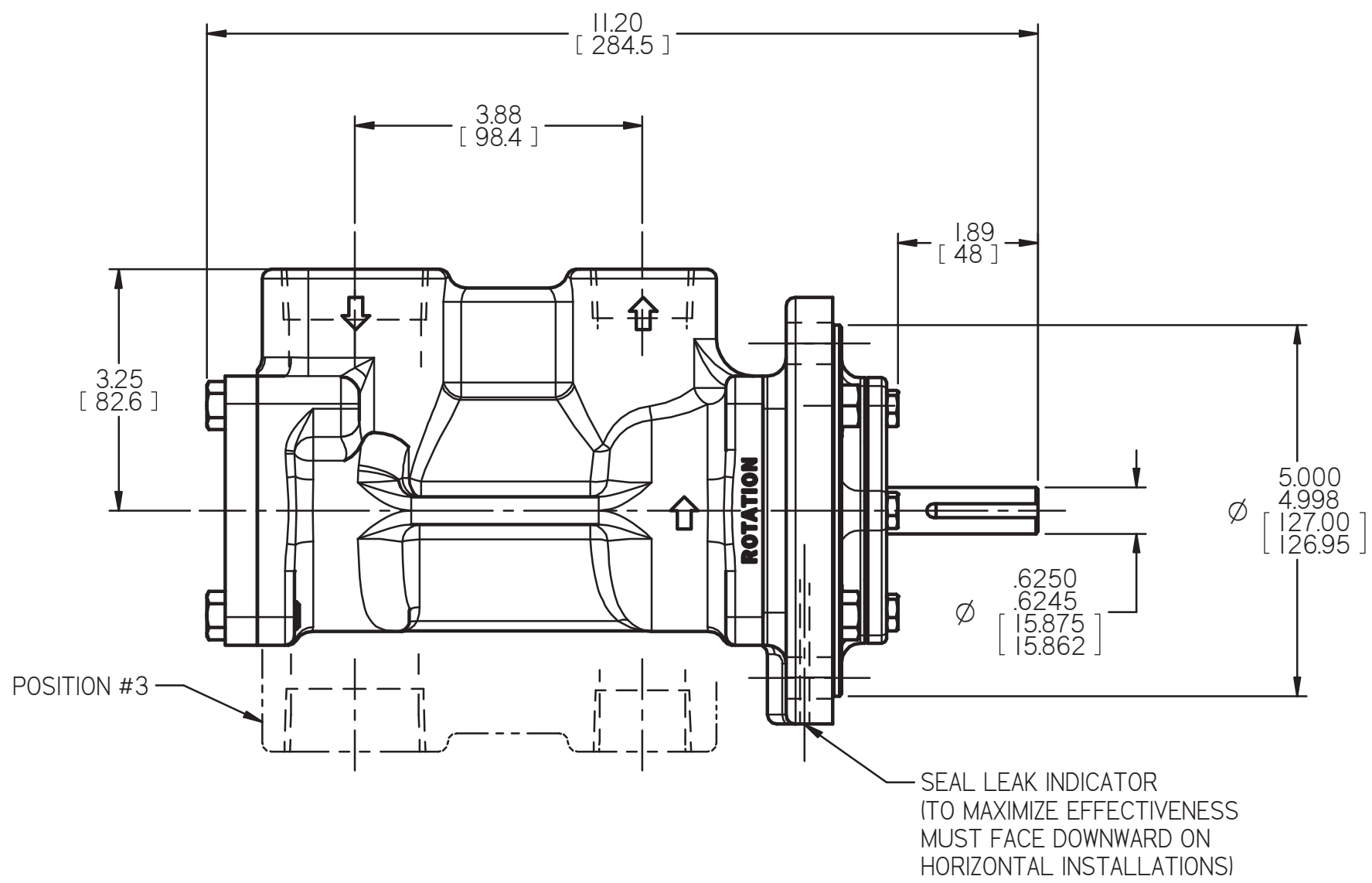


COORDINATE SYSTEM FOR MAXIMUM PUMP FORCES (F) AND MOMENTS (M)

**INLET:**  
 FX= 28.1 LBF [ 125 N]    MX= 46.9 LB FT [ 63.6 N.m]  
 FY= 28.1 LBF [ 125 N]    MY= 46.9 LB FT [ 63.6 N.m]  
 FZ= 28.1 LBF [ 125 N]    MZ= 46.9 LB FT [ 63.6 N.m]

**OUTLET:**  
 FX= 18.8 LBF [ 83.4 N]    MX= 31.3 LB FT [ 42.4 N.m]  
 FY= 18.8 LBF [ 83.4 N]    MY= 31.3 LB FT [ 42.4 N.m]  
 FZ= 18.8 LBF [ 83.4 N]    MZ= 31.3 LB FT [ 42.4 N.m]

FORCE AND MOMENT VALUES ARE RELATIVE TO CENTER OF INLET AND OUTLET PORT FACES.



DRAWING CERTIFICATION	
CUSTOMER NAME	-----
CUSTOMER PO NUMBER	---
CUSTOMER PART NUMBER	-
BOM NUMBER	-----
PUMP TYPE	-----
SHAFT ROTATION	-----
OTHER INFORMATION	
CERTIFIED BY	-----
CERTIFIED DATE	-----
IMO ORDER NUMBER	-----
DATA REVISION NUMBER	-

NOTES:  
 1. UNLESS OTHERWISE SPECIFIED, ALL DIMENSIONS ARE IN INCHES. DIMENSIONS IN [ ] ARE MILLIMETERS.  
 2. PORT POSITIONS ARE RELATIVE TO THE WEEP HOLE FACING DOWNWARD.

MATERIAL	DRAWN	WLW	4-24-95	<b>CIRCOR</b>   <b>IMO</b> <sup>®</sup>
PROCESS	CHECKED	WLW	4-24-95	
UNLESS OTHERWISE SPECIFIED ASME Y14.5M-1994.		APPD	MJC	
COMMENTS: SUCTION STRAINER AND DISCHARGE RELIEF VALVE MUST BE PROVIDED. ALIGNMENT: UNITS ARE ACCURATELY ALIGNED AT THE FACTORY. ALIGNMENT SHOULD BE CHECKED BEFORE STARTING TO ENSURE THAT IT IS STILL WITHIN .005 (0.13) MM. PRESTARTING: FLUSH SUCTION PIPING BEFORE CONNECTING PUMP. PRIME AND VENT PUMP. READ INSTRUCTION MANUAL FOR DETAILS BEFORE STARTING.		METHODS		
		THIRD ANGLE PROJECTION	FIRST ORDER	TITLE
		USED ON	096939	OUTLINE STANDARD _3E_C-I18_
		3241/250		SIZE
				CAGE CODE
				59180
				DWG NO
				SDD18268
				SCALE
				1/2
				WEIGHT
				27 LBS [12 kg]
				SHEET
				1
				OF
				1