

INLET 2" SIZE SOCKET WELDING ADAPTER
Ø2.411 [61.24] SOCKET
.66 [16.8] DEEP

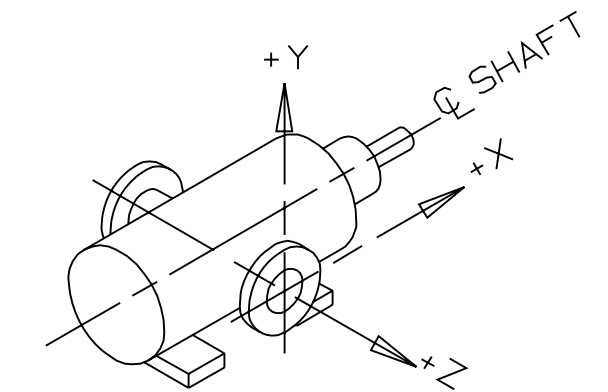
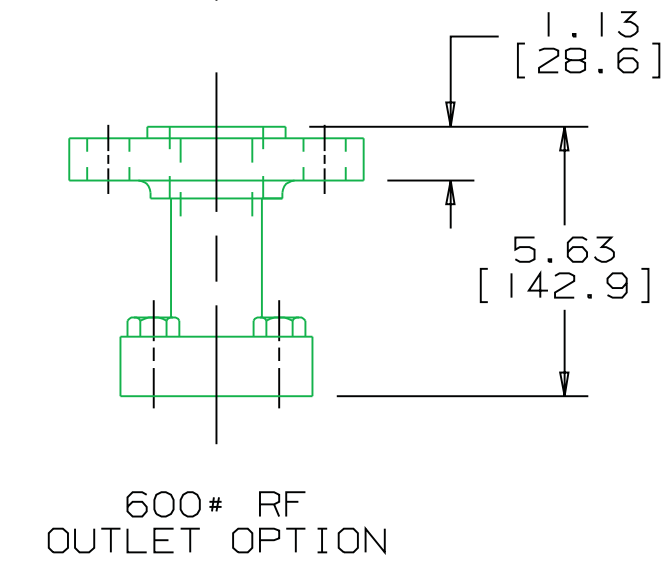
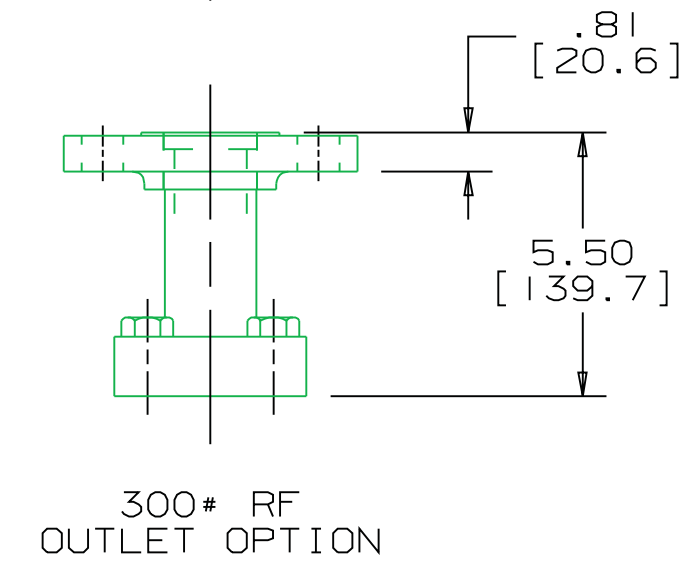
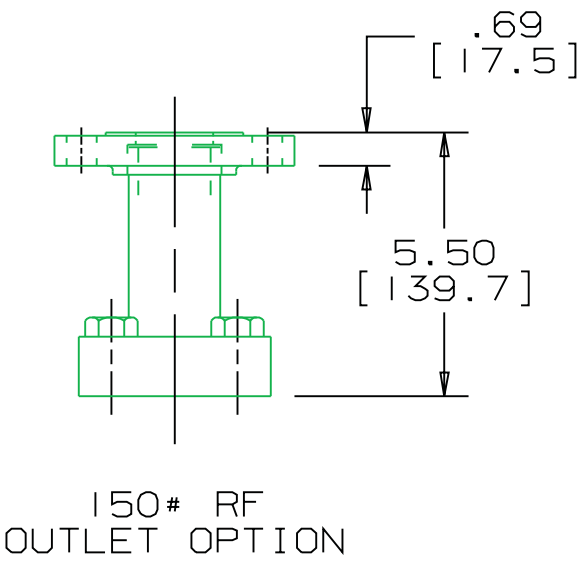
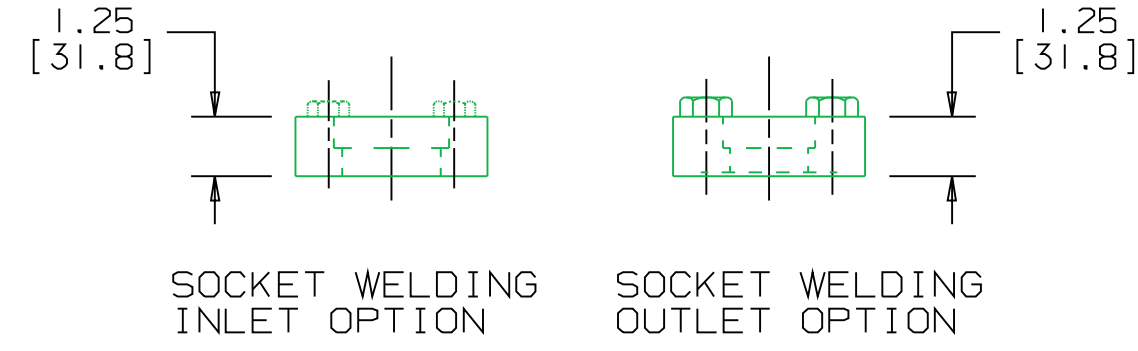
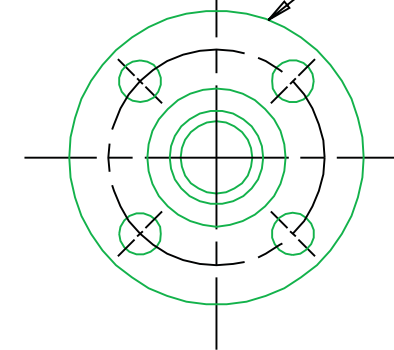
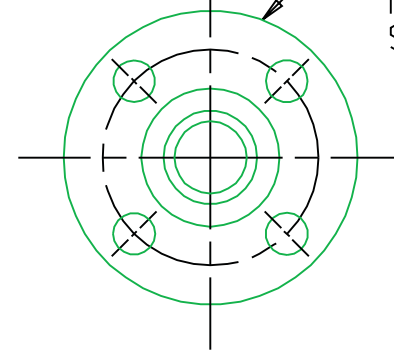
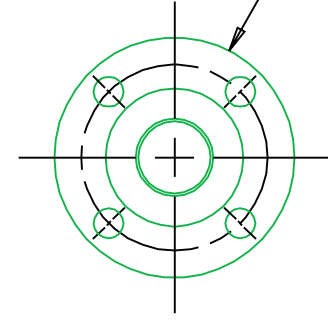
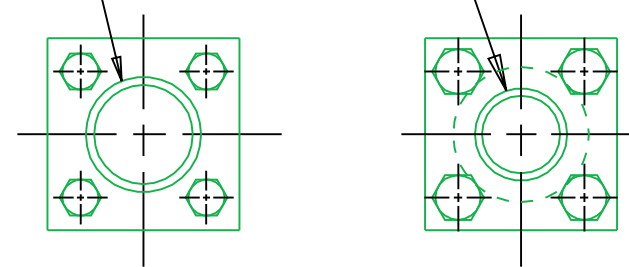
OUTLET 1-1/2" SIZE SOCKET WELDING ADAPTER
Ø1.920 [48.77] SOCKET
.66 [16.8] DEEP

OUTLET 1-1/2" SIZE 150# ANSI B16.5 RAISED FACE FLANGE HOLES TO STRADDLE CENTERLINES

OUTLET 1-1/2" SIZE 300# ANSI B16.5 RAISED FACE FLANGE HOLES TO STRADDLE CENTERLINES

OUTLET 1-1/2" SIZE 600# ANSI B16.5 RAISED FACE FLANGE HOLES TO STRADDLE CENTERLINES

REVISION HISTORY						
CHG NO	ZONE	REV	DESCRIPTION	DATE	BY	APPROVED
96-00043	A-2	1	ADDED GENERIC OUTLINE DATA BLOCK	1-25-96	DMS	MJC
00-0579	ALL	2	UPDATED TO CURRENT STANDARDS & ADDED SPOOL PIECE OPTIONS	10-10-00	DMM	DMM

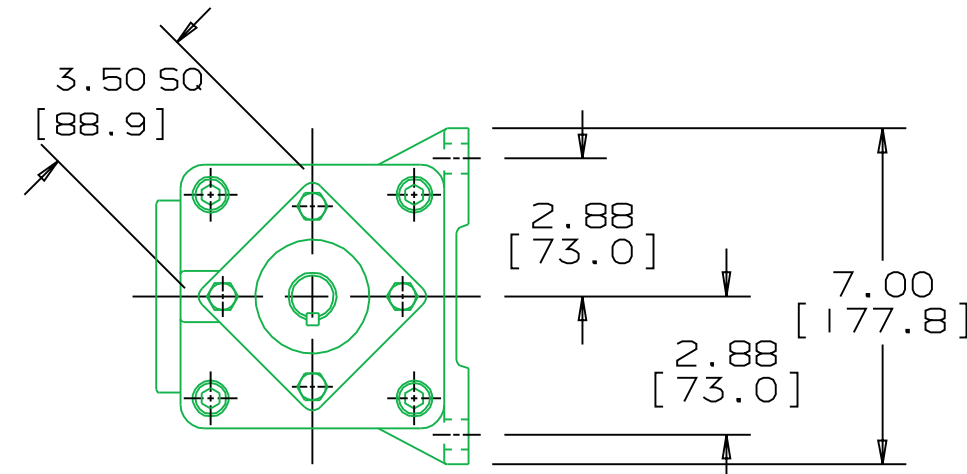
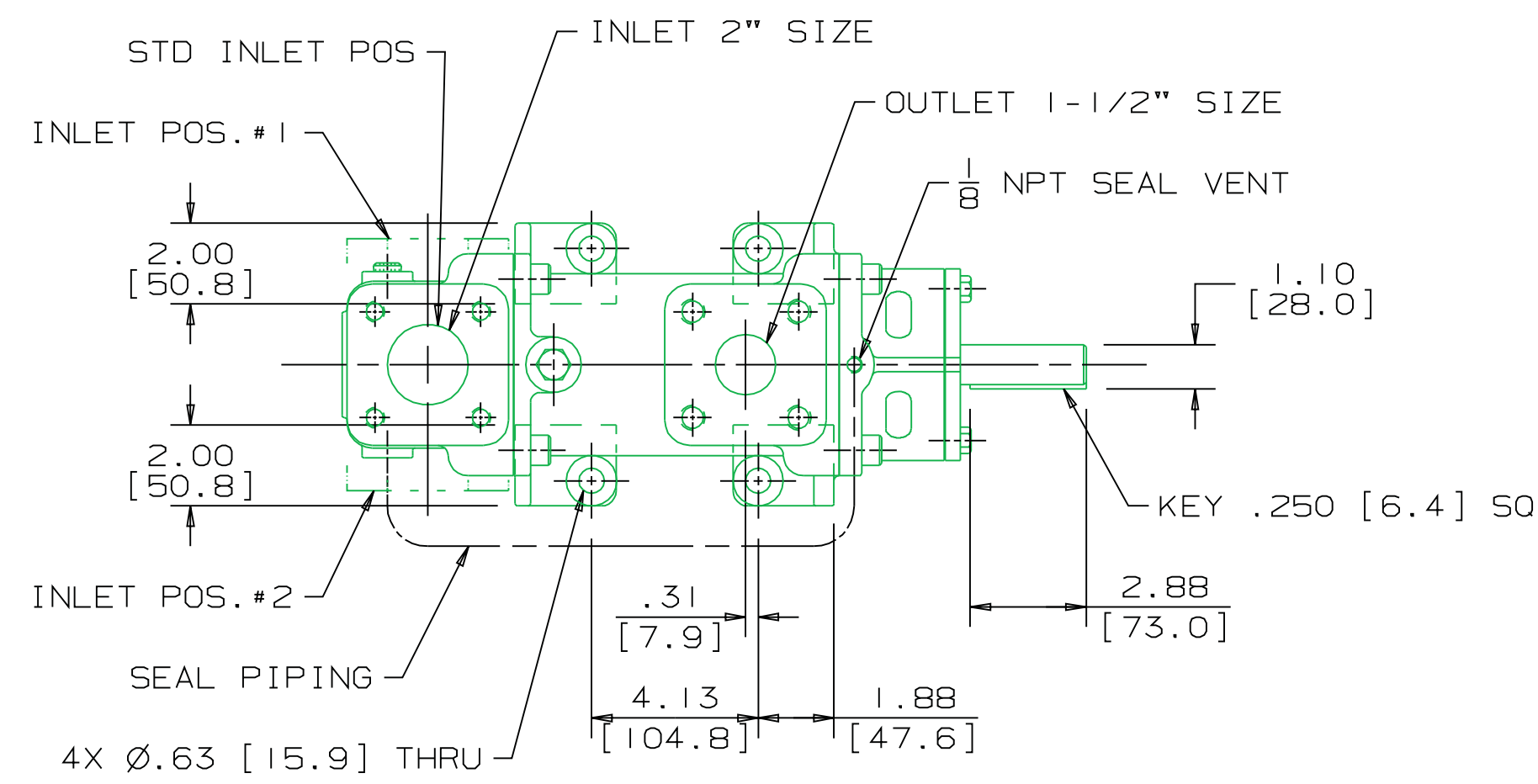


COORDINATE SYSTEM FOR MAXIMUM PUMP FORCES (F) AND MOMENTS (M)

INLET:
 FX=150 LBF [667 N] MX=250 LB FT [339 N·m]
 FY=150 LBF [667 N] MY=250 LB FT [339 N·m]
 FZ=150 LBF [667 N] MZ=250 LB FT [339 N·m]

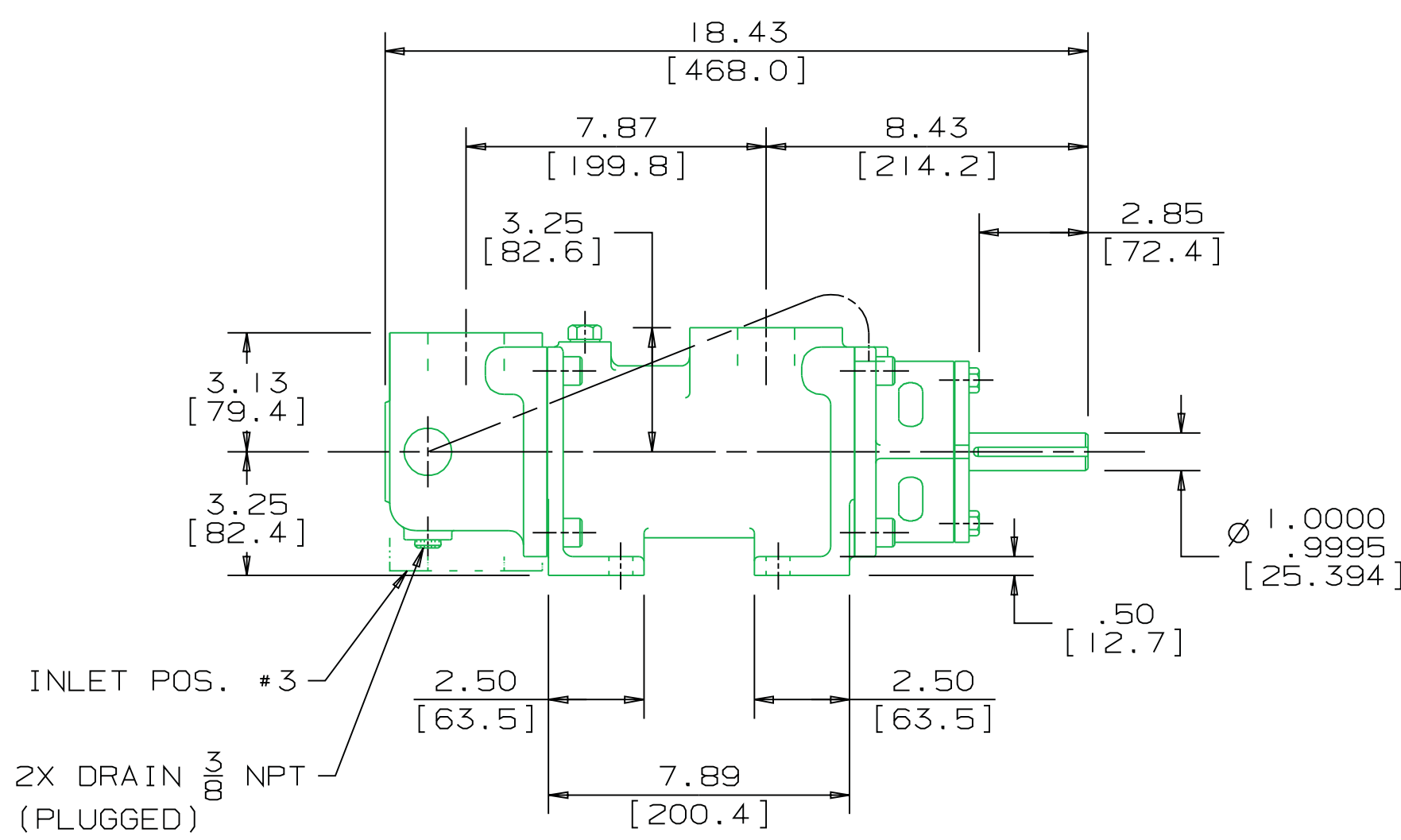
OUTLET:
 FX=113 LBF [500 N] MX=188 LB FT [254 N·m]
 FY=113 LBF [500 N] MY=188 LB FT [254 N·m]
 FZ=113 LBF [500 N] MZ=188 LB FT [254 N·m]

FORCE AND MOMENT VALUES ARE RELATIVE TO CENTER OF INLET AND OUTLET PORT FACES.



- NOTES:
- UNLESS OTHERWISE SPECIFIED, ALL DIMENSIONS ARE IN INCHES. DIMENSIONS IN [] ARE MILLIMETERS.
 - TO MAXIMIZE SEAL LIFE, SEAL VENT MUST BE ORIENTED UPWARD (12 O'CLOCK) WHEN PUMP IS INSTALLED HORIZONTALLY. THIS IS NORMAL VENT ORIENTATION WHEN PUMP FEET ARE ORIENTED DOWNWARD. SEAL VENT ORIENTATION IS NOT CRITICAL WHEN PUMP IS INSTALLED WITH SHAFT VERTICALLY UPWARD.
 - PORT, FOOT, AND SEAL VENT ORIENTATIONS ARE SUPPLIED AS SHOWN ON DRAWING UNLESS OTHERWISE SPECIFIED.
 - ALTERNATE INLET PORT POSITIONS ARE PROVIDED IF SPECIFIED ON ORDER. AVAILABLE POSITIONS ARE: STANDARD, POSITION #1, POSITION #2 OR POSITION #3. ALL INLET PORT POSITIONS ARE RELATIVE TO OUTLET PORT.
 - ESTIMATED WEIGHT (WITHOUT PORT ADAPTERS) 80 LBS [36.3 kg].

DRAWING CERTIFICATION	
CUSTOMER NAME	-----
CUSTOMER PO NUMBER	-----
CUSTOMER PART NUMBER	-----
BOM NUMBER	-----
PUMP TYPE	-----
SHAFT ROTATION	-----
INLET PORT POSITION	-----
INLET PORT ADAPTER OPTION	--
OUTLET PORT ADAPTER OPTION	-
OTHER INFORMATION	
CERTIFIED BY	-----
CERTIFIED DATE	-----
IMO ORDER NUMBER	-----
DATA REVISION NUMBER	-----



DRAWN	WLW 6-21-95			
CHECKED	WLW 6-22-95			
APPROVED	MJC 6-22-95			
TITLE	OUTLINE STANDARD ___3D_S___156__			
THIRD ANGLE PROJECTION	FIRST ORDER	SIZE	CAGE CODE	DWG NO
3	098104	D	59180	SDD18333
USED ON	3204/127	SCALE	1/4	WEIGHT SEE NOTE 5
SHEET	1	OF	1	