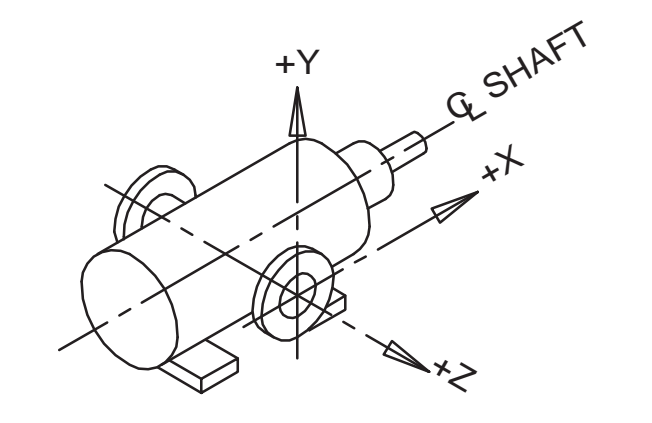
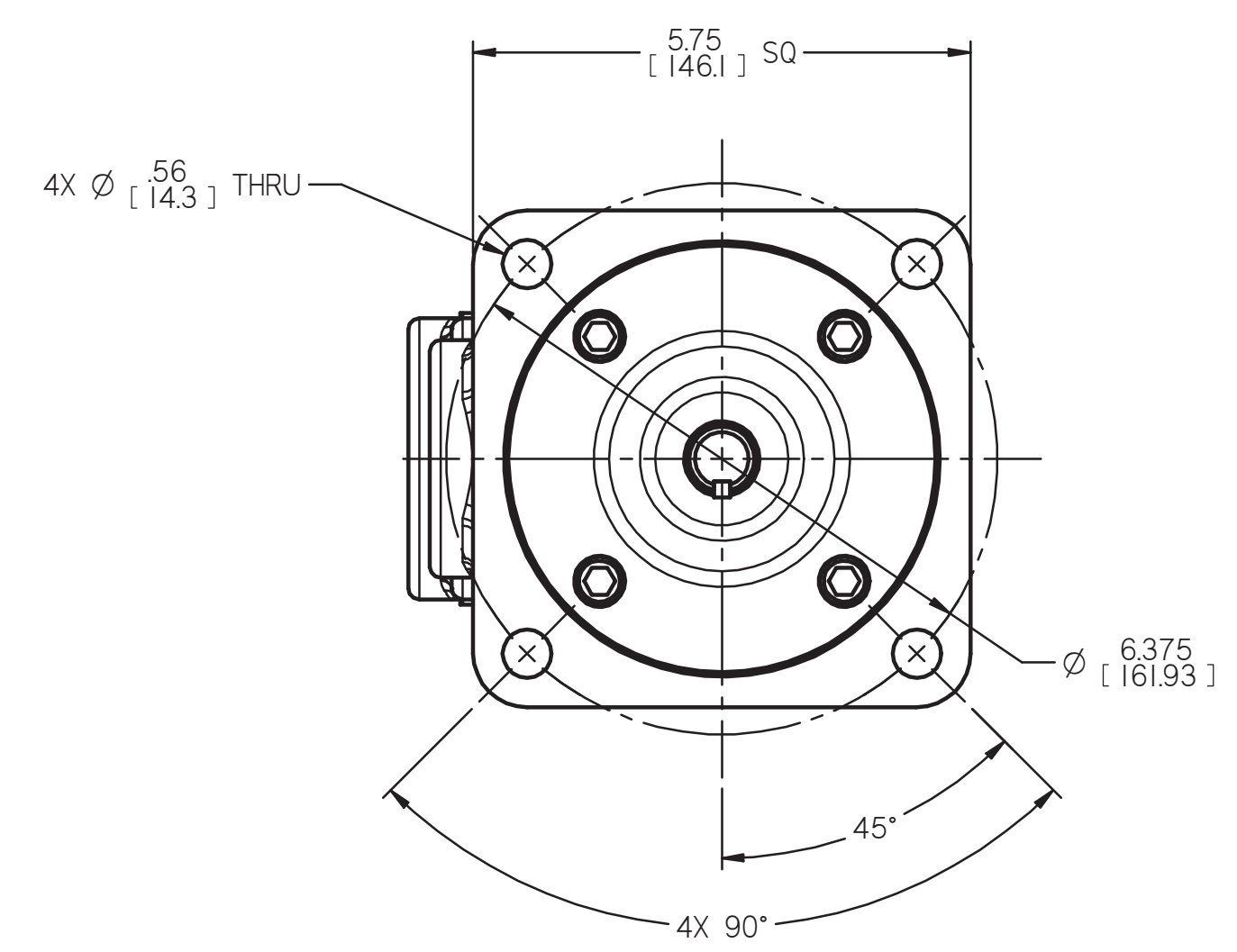
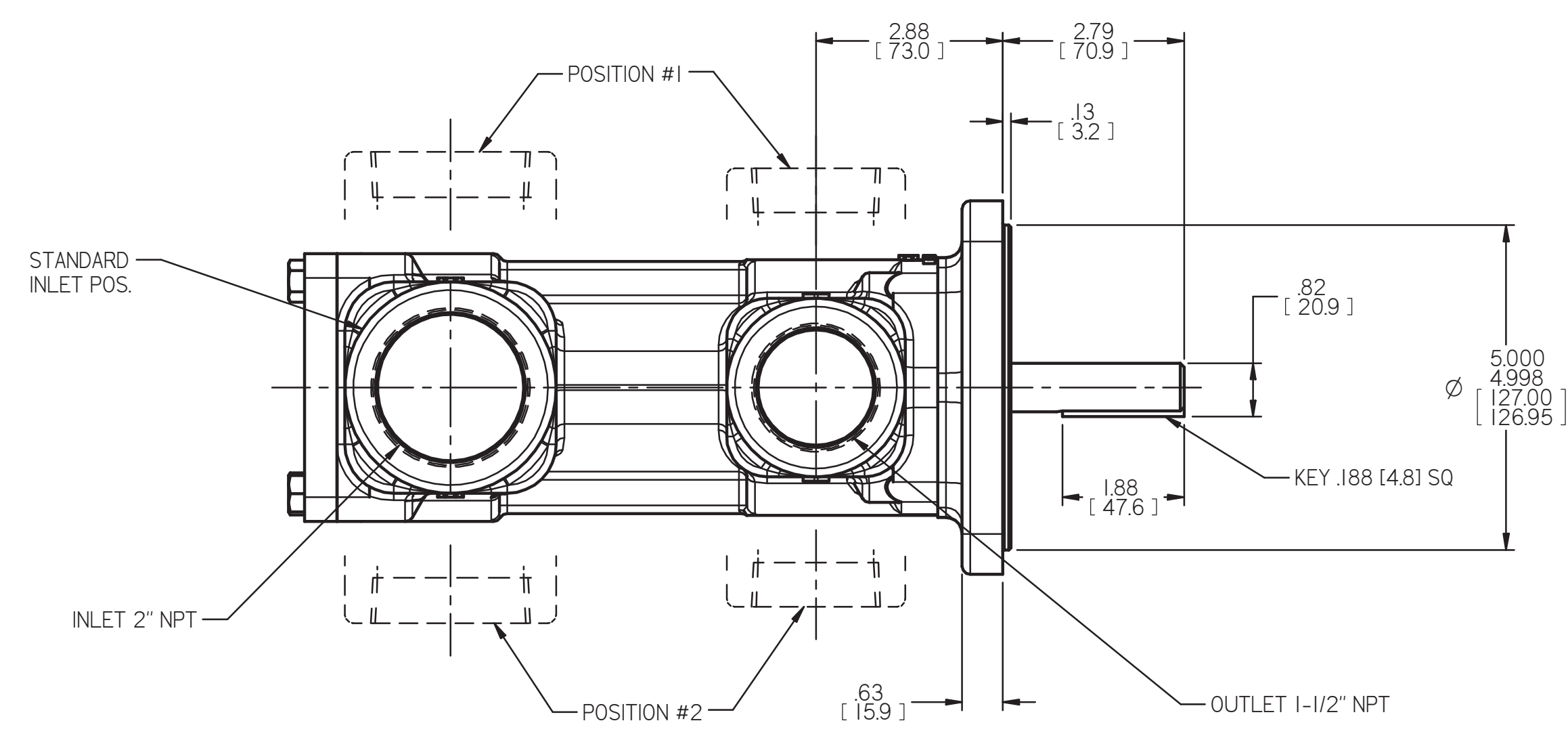


REVISION HISTORY						
CHG NO	ZONE	REV	DESCRIPTION	DATE	BY	APPROVED
13-0426	ALL	3	REDRAWN AND UPDATED ON CAD	6-16-14	ERH	CHH

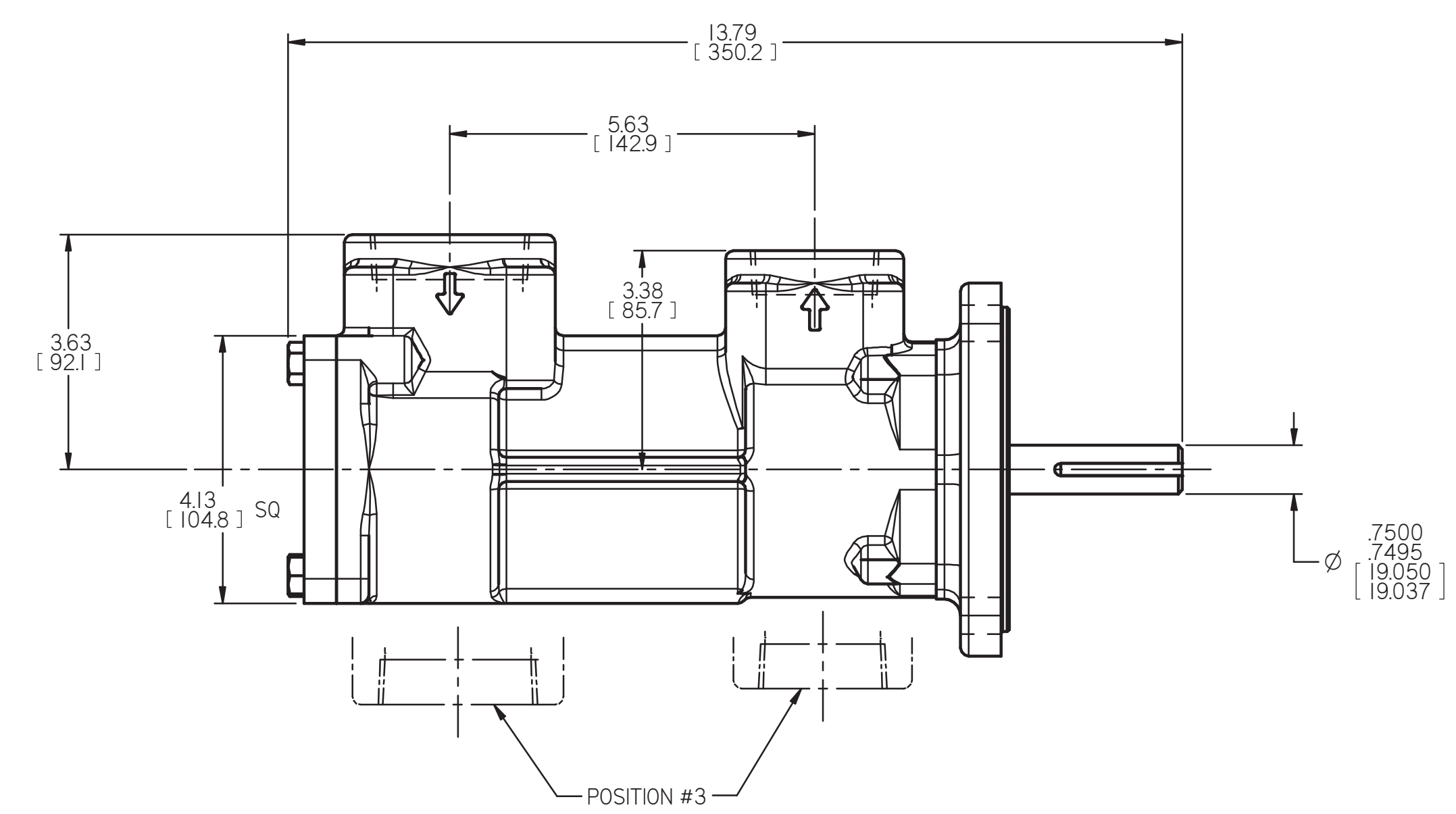


COORDINATE SYSTEM FOR MAXIMUM PUMP FORCES (F) AND MOMENTS (M)

INLET:  
FX= 37.5 LBF [ 169 N]    MX= 62.5 LB FT [ 84.7 N.m]  
FY= 37.5 LBF [ 169 N]    MY= 62.5 LB FT [ 84.7 N.m]  
FZ= 37.5 LBF [ 169 N]    MZ= 62.5 LB FT [ 84.7 N.m]

OUTLET:  
FX= 28.1 LBF [ 125 N]    MX= 46.9 LB FT [ 63.6 N.m]  
FY= 28.1 LBF [ 125 N]    MY= 46.9 LB FT [ 63.6 N.m]  
FZ= 28.1 LBF [ 125 N]    MZ= 46.9 LB FT [ 63.6 N.m]

FORCE AND MOMENT VALUES ARE RELATIVE TO CENTER OF INLET AND OUTLET PORT FACES.



DRAWING CERTIFICATION
CUSTOMER NAME -----
CUSTOMER PO NUMBER --- CUSTOMER PART NUMBER -
BOM NUMBER ----- PUMP TYPE ----- SHAFT ROTATION ----- PORT POSITION -----
OTHER INFORMATION
CERTIFIED BY ----- CERTIFIED DATE ----- IMO ORDER NUMBER ----- DATA REVISION NUMBER -

NOTES:  
1. UNLESS OTHERWISE SPECIFIED, ALL DIMENSIONS ARE IN INCHES. DIMENSIONS IN [ ] ARE MILLIMETERS.  
2. PORT POSITIONS ARE RELATIVE TO THE WEEP HOLE FACING DOWNWARD.

DRAWN	JTT	9-23-96		<b>TITLE</b> OUTLINE STANDARD _3EIC-143_162_
CHECKED	MJC	9-25-96		
APPD	MJC	9-25-96		
MATERIAL	METHODS		<b>SIZE</b> D	<b>CAGE CODE</b> 59180
<b>COMMENTS</b> UNLESS OTHERWISE SPECIFIED ASME Y14.5M-1994. SUCTION STRAINER AND DISCHARGE RELIEF VALVE MUST BE PROVIDED. ALIGNMENT UNITS ARE ACCURATELY ALIGNED AT THE FACTORY. ALIGNMENT SHOULD BE CHECKED BEFORE STARTING TO ENSURE THAT IT IS STILL WITHIN .005 (0.13) MM. PRE-STARTING FLUSH SUCTION PIPING BEFORE CONNECTING PUMP. PRIME AND VENT PUMP. READ INSTRUCTION MANUAL FOR DETAILS BEFORE STARTING.			<b>FIRST ORDER</b> 806906	<b>DWG NO</b> SDD18778
<b>USED ON</b> 3242/220			<b>SCALE</b> 1/2	<b>WEIGHT</b> 31 LBS
			<b>SHEET</b>   OF	<b>OF</b>   OF