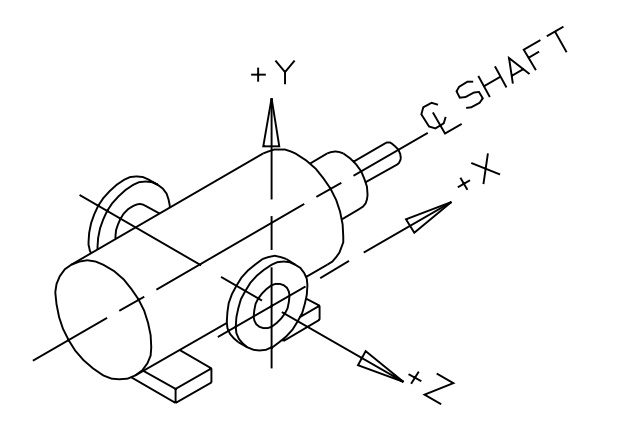
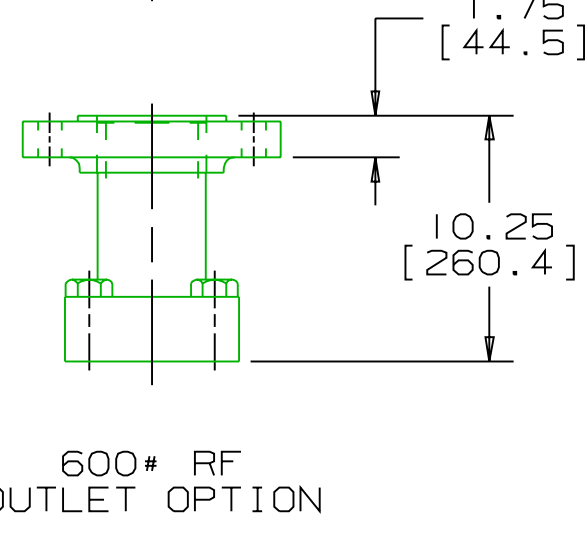
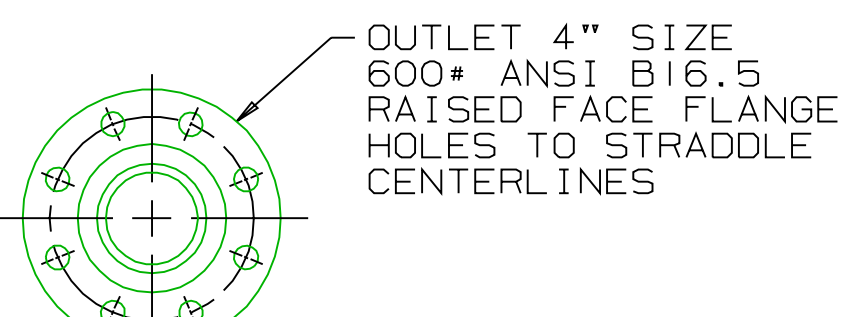
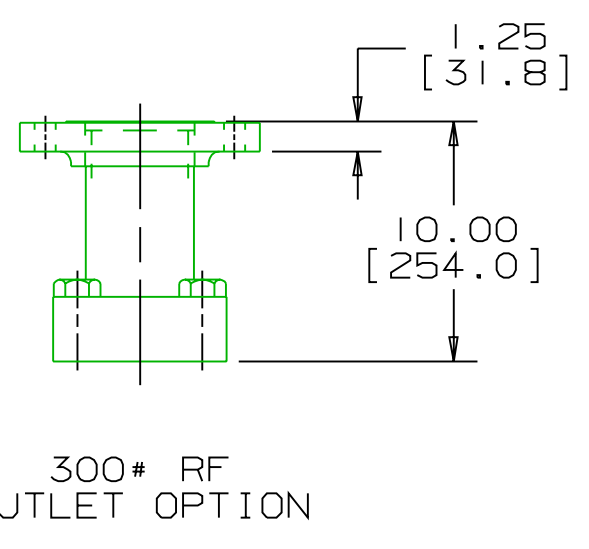
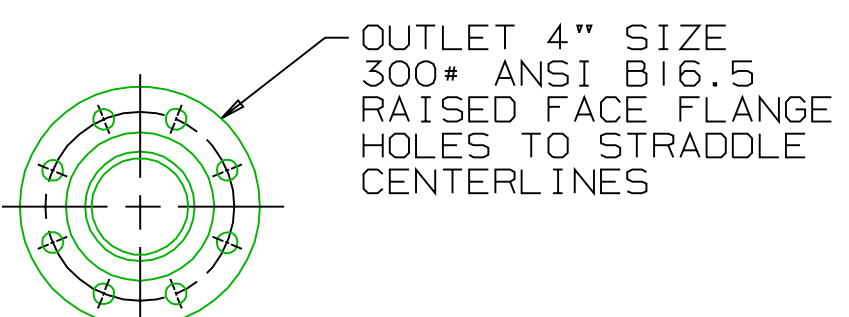
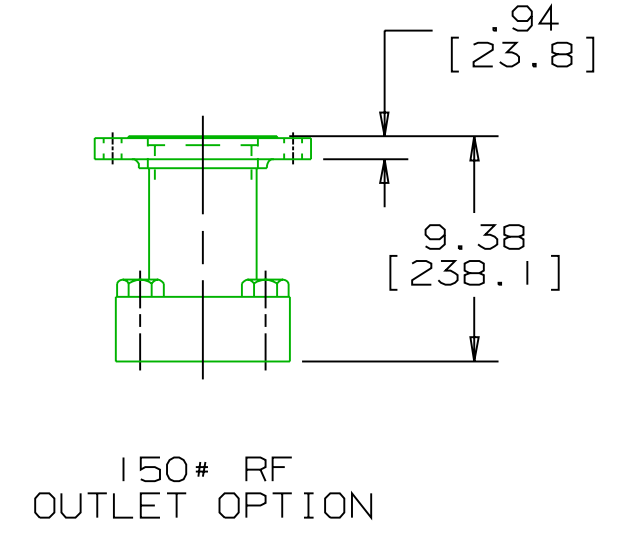
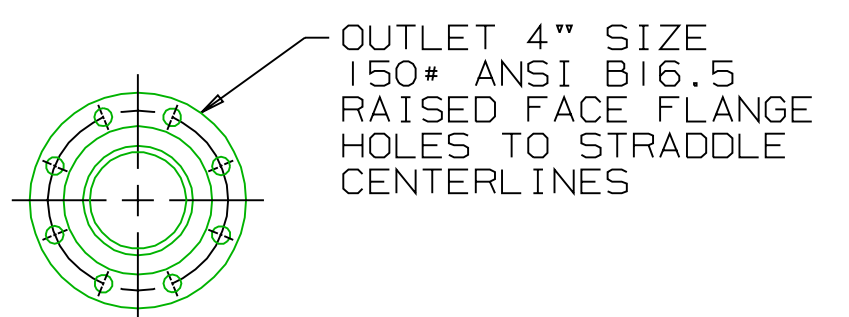
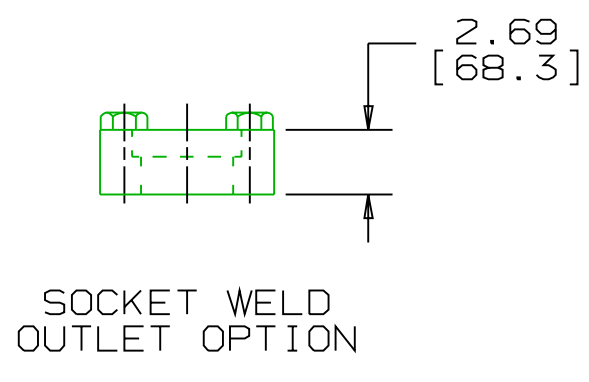
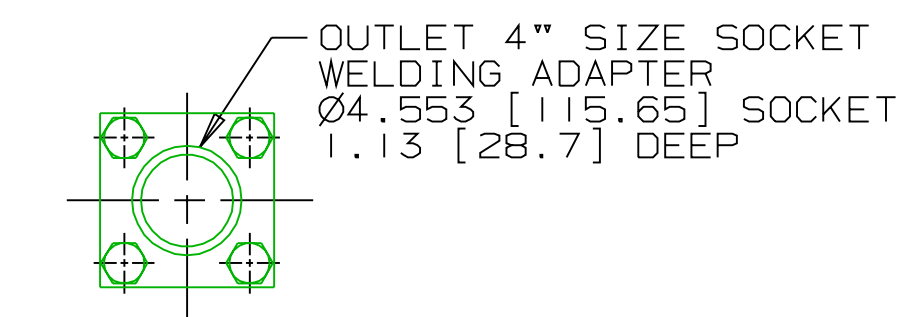


8 7 6 5 4 3 2 1

REVISION HISTORY					
CHG NO	ZONE	REV	DESCRIPTION	DATE	BY / APPROVED
96-00043	A	1	ADDED GENERIC OUTLINE DATA BLOCK	1-26-96	DMS / MJC
99-00000	ALL	2	REVISED TO SHOW NEW ANSI FORMAT	11-19-99	WLW / WLW
00-0579	ALL	3	UPDATED TO CURRENT STANDARDS	12-15-00	DMM / DMM



COORDINATE SYSTEM FOR MAXIMUM PUMP FORCES (F) AND MOMENTS (M)

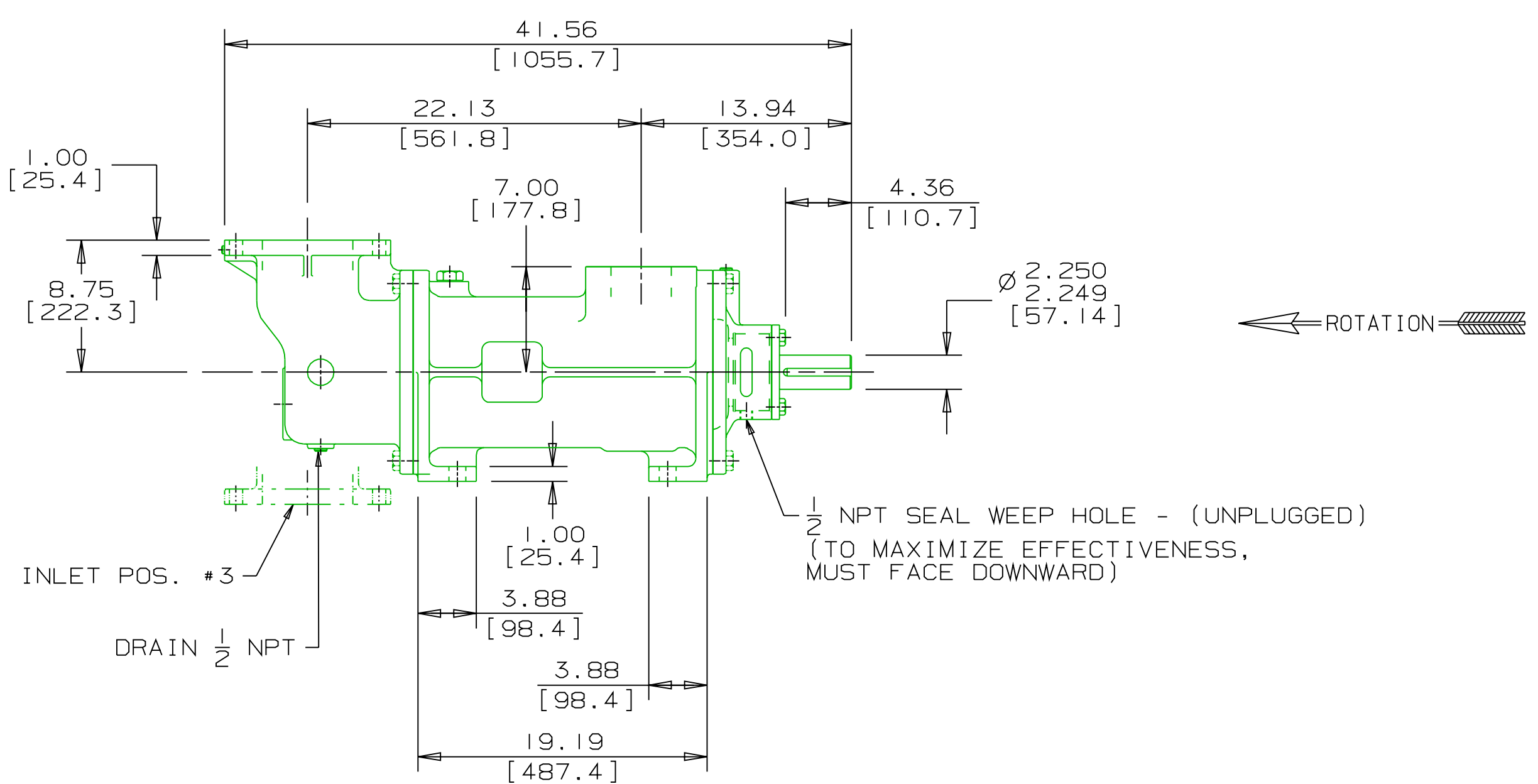
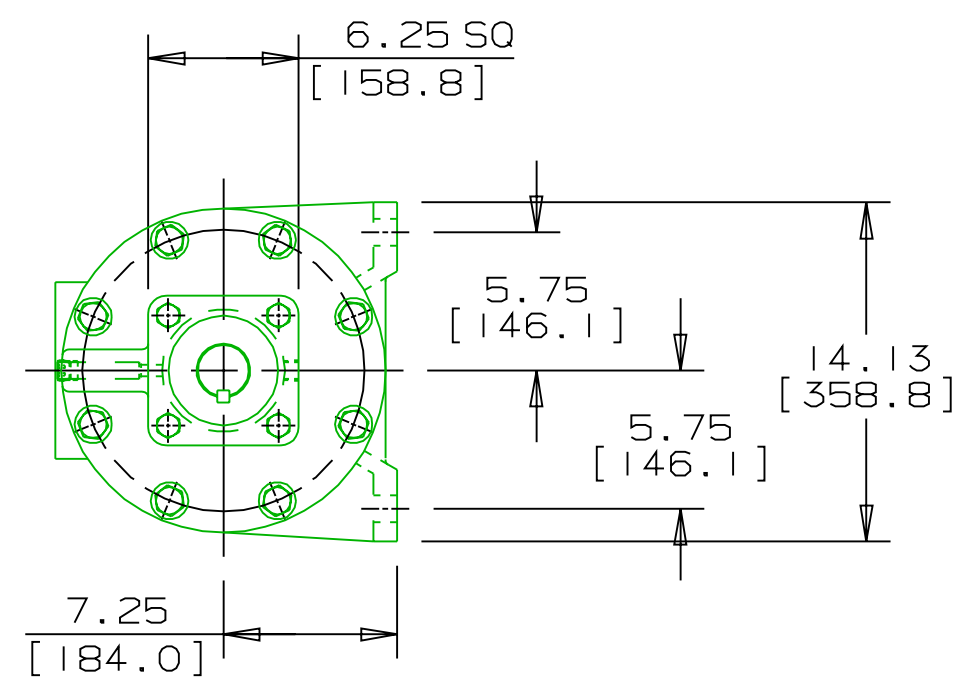
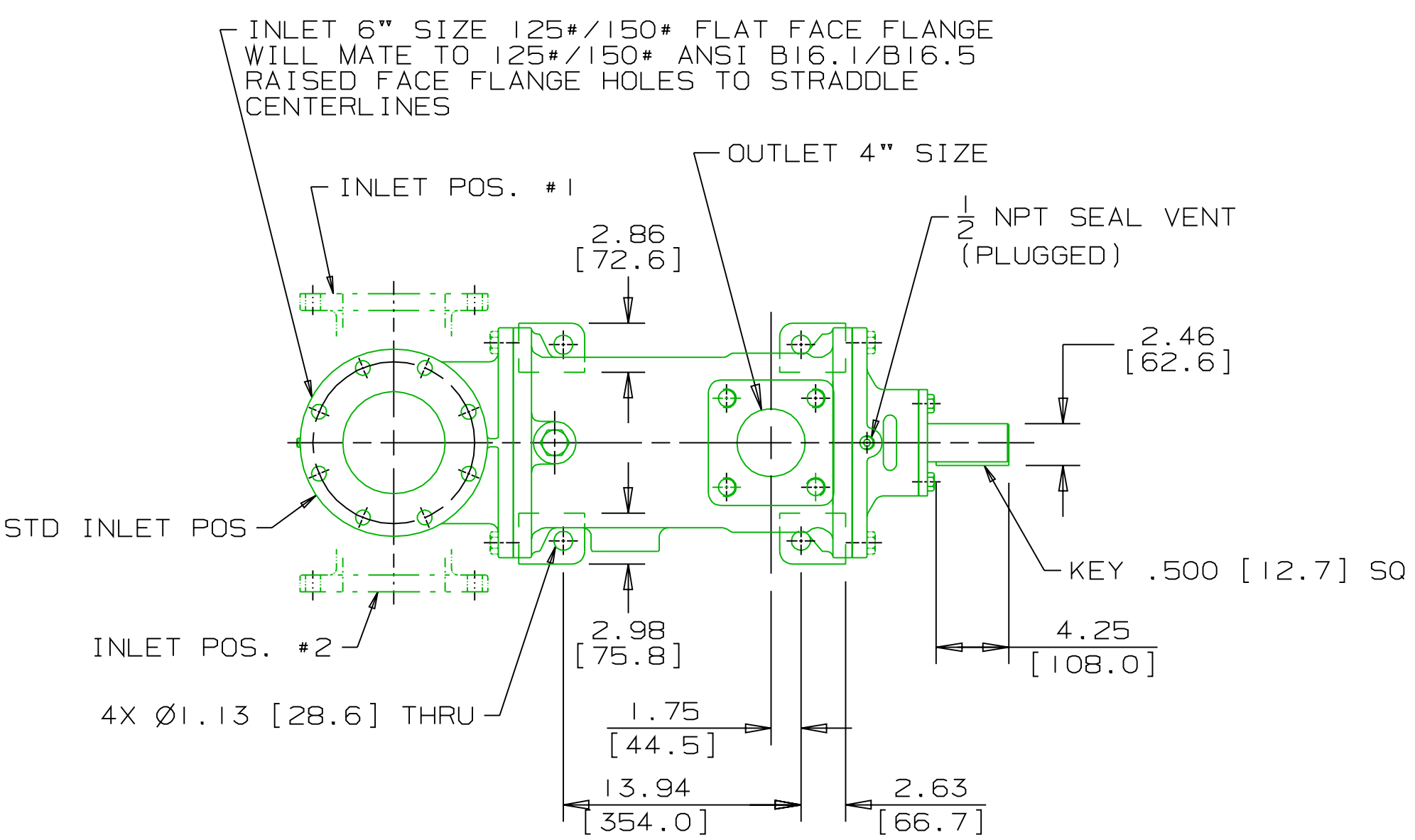
INLET:

FX=450 LBF [2000 N]	MY=750 LB FT [1020 N·m]
FY=450 LBF [2000 N]	MZ=750 LB FT [1020 N·m]
FZ=450 LBF [2000 N]	

OUTLET:

FX=300 LBF [1330 N]	MY=500 LB FT [678 N·m]
FY=300 LBF [1330 N]	MZ=500 LB FT [678 N·m]
FZ=300 LBF [1330 N]	

FORCE AND MOMENT VALUES ARE RELATIVE TO CENTER OF INLET AND OUTLET PORT FACES.



- NOTES:
- UNLESS OTHERWISE SPECIFIED, ALL DIMENSIONS ARE IN INCHES. DIMENSIONS IN [ ] ARE MILLIMETERS.
  - TO MAXIMIZE SEAL LIFE, SEAL VENT MUST BE ORIENTED UPWARD (12 O'CLOCK) WHEN PUMP IS INSTALLED HORIZONTALLY. THIS IS NORMAL VENT ORIENTATION WHEN PUMP FEET ARE ORIENTED DOWNWARD. SEAL VENT ORIENTATION IS NOT CRITICAL WHEN PUMP IS INSTALLED WITH SHAFT VERTICALLY UPWARD.
  - PORT, FOOT, AND SEAL VENT ORIENTATIONS ARE SUPPLIED AS SHOWN ON DRAWING UNLESS OTHERWISE SPECIFIED.
  - ALTERNATE INLET PORT POSITIONS ARE PROVIDED IF SPECIFIED ON ORDER. AVAILABLE POSITIONS ARE: STANDARD, POSITION #1, POSITION #2 OR POSITION #3. ALL INLET PORT POSITIONS ARE RELATIVE TO OUTLET PORT.
  - ESTIMATED WEIGHT (WITHOUT PORT ADAPTERS) 601 LBS [272.6 kg].

DRAWING CERTIFICATION	
CUSTOMER NAME	-----
CUSTOMER PO NUMBER	-----
CUSTOMER PART NUMBER	-----
BOM NUMBER	-----
PUMP TYPE	-----
SHAFT ROTATION	-----
INLET PORT POSITION	-----
OUTLET PORT ADAPTER OPTION	-----
OTHER INFORMATION	
CERTIFIED BY	-----
CERTIFIED DATE	-----
IMO ORDER NUMBER	-----
DATA REVISION NUMBER	-----

WEB ADDRESS: WWW.IMO-PUMP.COM EMAIL: IMO.PUMP@COLFAXCORP.COM

DRAWN JLP8-14-95

CHECKED MJC8-17-95

APPROVED MJC8-17-95

PROCESS

METHODS

Imo Pump  
1710 Airport Road  
PO Box 5020  
Monroe, NC USA  
28111.5020

COMMENTS:  
STANDARD ROTATION IS CLOCKWISE WHEN VIEWED FROM COUPLING END OF PUMP. SUCTION STRAINER AND DISCHARGE RELIEF VALVE MUST BE PROVIDED.  
ALIGNMENT:  
UNITS ARE ACCURATELY ALIGNED AT THE FACTORY. ALIGNMENT SHOULD BE CHECKED BEFORE STARTING TO ENSURE THAT IT IS STILL WITHIN .005 [0.13] F.W.  
PRESTARTING:  
FLUSH SUCTION PIPING BEFORE CONNECTING PUMP. PRIME AND VENT PUMP. DO NOT START PUMP WITH VALVES CLOSED. READ INSTRUCTION MANUAL FOR DETAILS BEFORE STARTING.

TITLE	THIRD ANGLE PROJECTION	FIRST ORDER	SIZE	CAGE CODE	DWG NO
OUTLINE STANDARD (STEEL) AG3D_S--400--		126606	D	59180	SDD18399
USED ON	3225/248	SCALE	1/8	WEIGHT	601 LB [273 kg]
SHEET	1	OF	1		

FOOT MOUNT, RIGHT ANGLE INLET  
STEEL 3D-400

8 7 6 5 4 3 2 1