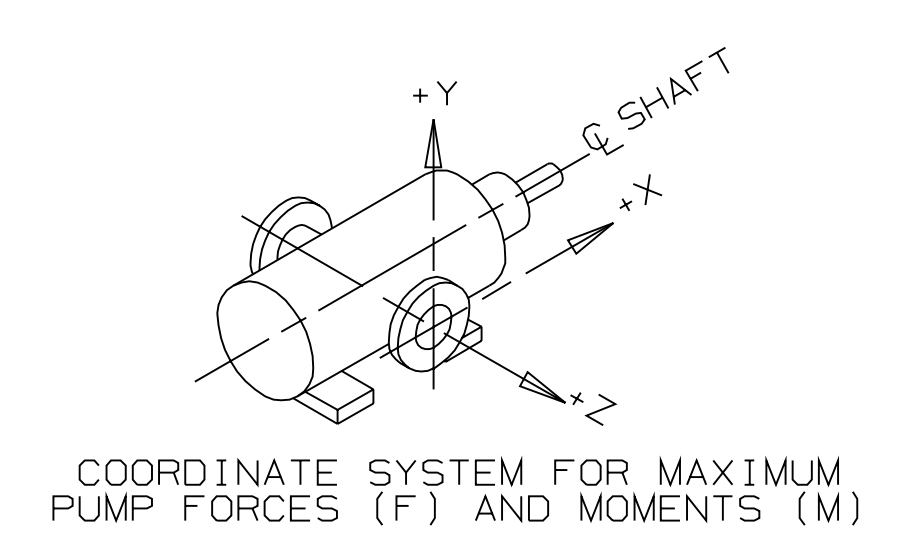
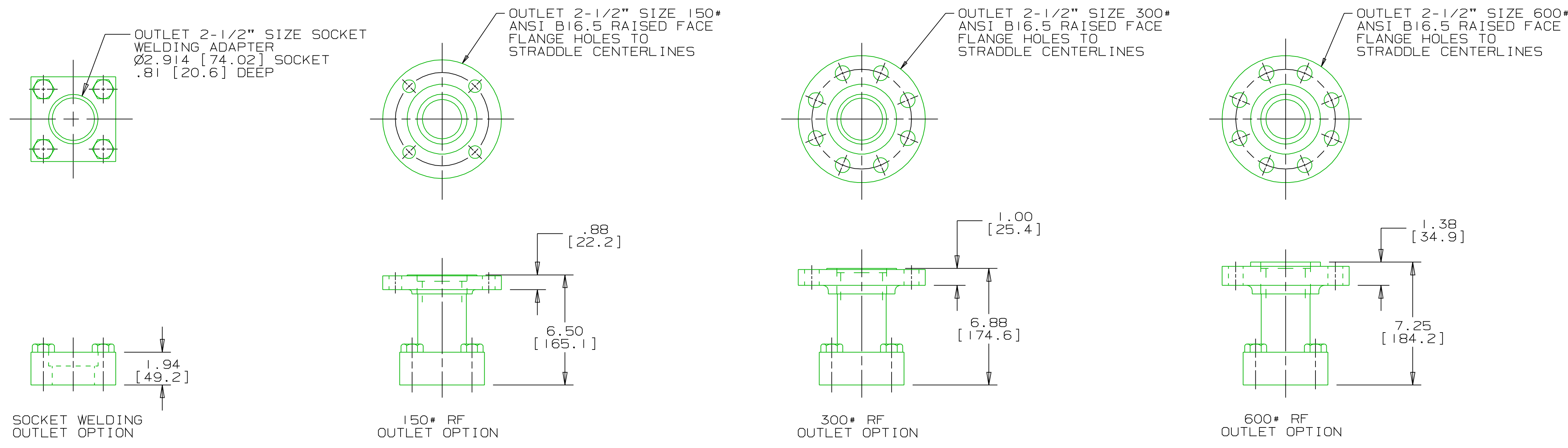


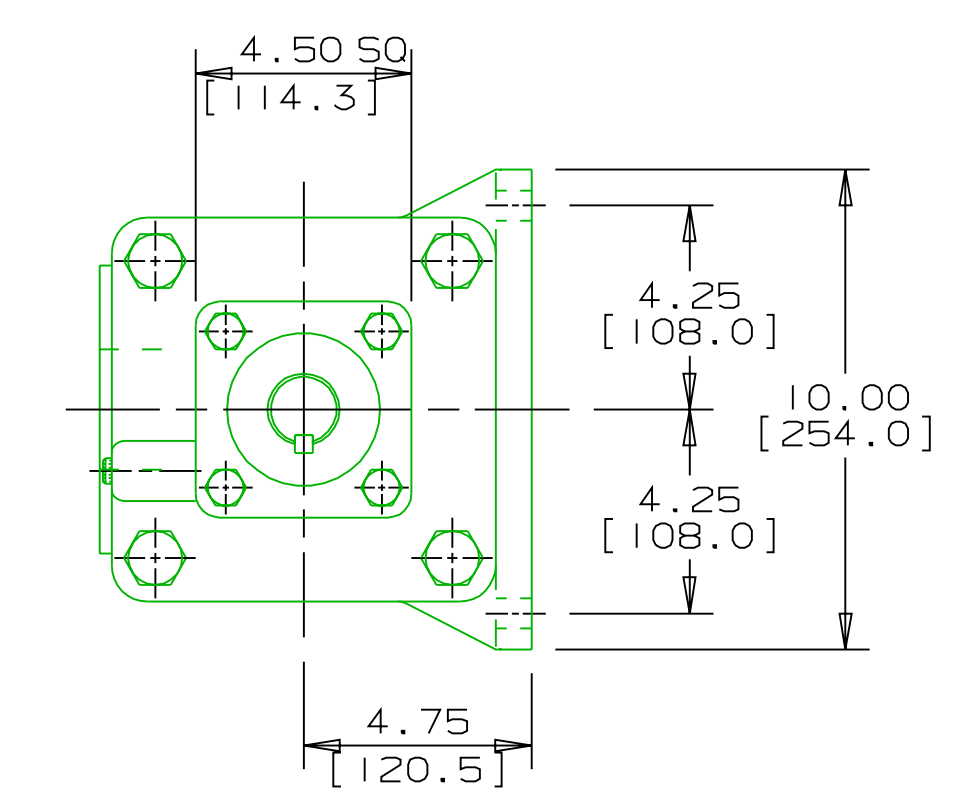
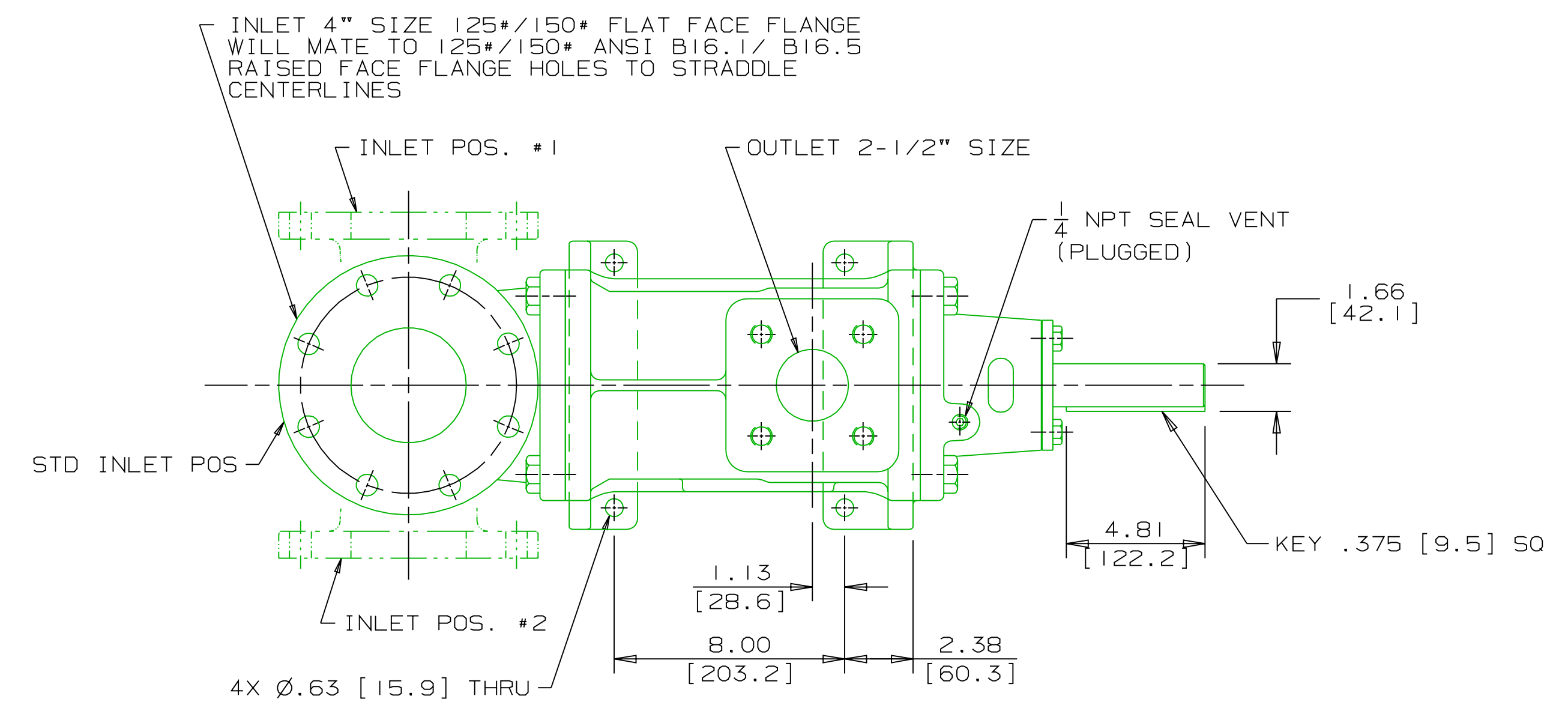
REVISION HISTORY					
CHG NO	ZONE	REV	DESCRIPTION	DATE	BY / APPROVED
99-00000	ALL	1	REVISED TO SHOW NEW ANSI FORMAT	11-22-99	WLW / WLW
00-0579	ALL	2	UPDATED TO CURRENT STANDARDS	11-9-00	DMM / DMM



INLET:
 FX=300 LBF [1330 N] MX=500 LB FT [678 N·m]
 FY=300 LBF [1330 N] MY=500 LB FT [678 N·m]
 FZ=300 LBF [1330 N] MZ=500 LB FT [678 N·m]

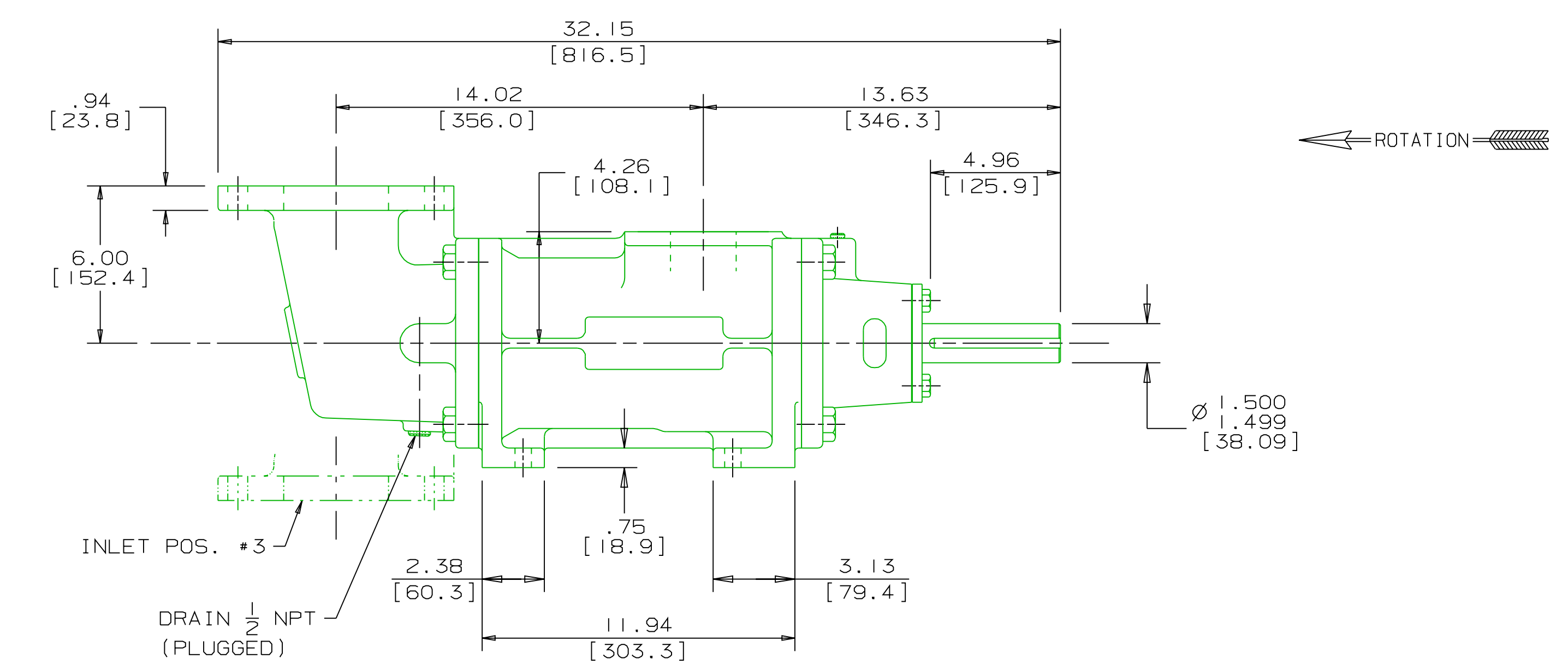
OUTLET:
 FX=188 LBF [836 N] MX=313 LB FT [424 N·m]
 FY=188 LBF [836 N] MY=313 LB FT [424 N·m]
 FZ=188 LBF [836 N] MZ=313 LB FT [424 N·m]

FORCE AND MOMENT VALUES ARE RELATIVE TO CENTER OF INLET AND OUTLET PORT FACES.



- NOTES:
- UNLESS OTHERWISE SPECIFIED, ALL DIMENSIONS ARE IN INCHES. DIMENSIONS IN [] ARE MILLIMETERS.
 - TO MAXIMIZE SEAL LIFE, SEAL VENT MUST BE ORIENTED UPWARD (12 O'CLOCK) WHEN PUMP IS INSTALLED HORIZONTALLY. THIS IS NORMAL VENT ORIENTATION WHEN PUMP FEET ARE ORIENTED DOWNWARD. SEAL VENT ORIENTATION IS NOT CRITICAL WHEN PUMP IS INSTALLED WITH SHAFT VERTICALLY UPWARD.
 - PORT, FOOT, AND SEAL VENT ORIENTATIONS ARE SUPPLIED AS SHOWN ON DRAWING UNLESS OTHERWISE SPECIFIED.
 - ALTERNATE INLET PORT POSITIONS ARE PROVIDED IF SPECIFIED ON ORDER. AVAILABLE POSITIONS ARE: STANDARD, POSITION #1, POSITION #2 OR POSITION #3. ALL INLET PORT POSITIONS ARE RELATIVE TO OUTLET PORT.
 - ESTIMATED WEIGHT (WITHOUT PORT ADAPTERS) 202 LBS [91.6 kg].

DRAWING CERTIFICATION	
CUSTOMER NAME	-----
CUSTOMER PO NUMBER	-----
CUSTOMER PART NUMBER	-----
BOM NUMBER	-----
PUMP TYPE	-----
SHAFT ROTATION	-----
INLET PORT POSITION	-----
OUTLET PORT ADAPTER OPTION	-----
OTHER INFORMATION	
CERTIFIED BY	-----
CERTIFIED DATE	-----
IMO ORDER NUMBER	-----
DATA REVISION NUMBER	-----



FOOT MOUNT, RIGHT ANGLE INLET
 STEEL 3D-250

WEB ADDRESS: WWW. IMO-PUMP.COM EMAIL: IMO.PUMP@COLFAXCORP.COM

DRAWN: DMS 2-14-96
 CHECKED: MJC 2-19-96
 APPD: MJC 2-19-96

IMO Pump
 1710 Airport Road
 PO Box 5020
 Monroe, NC USA
 28111.5020

TITLE: **OUTLINE STANDARD (STEEL)**
G 3 D S - 2 5 0 -

THIRD ANGLE PROJECTION FIRST ORDER SIZE: 59180 CAGE CODE: SDD18558 DWG NO: 802722

SCALE: 1/4 WEIGHT: SEE NOTE 5 SHEET: 1 OF 1