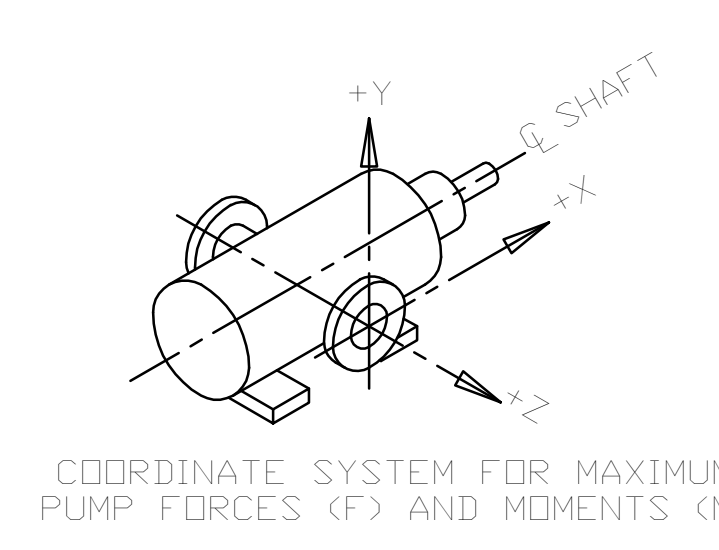
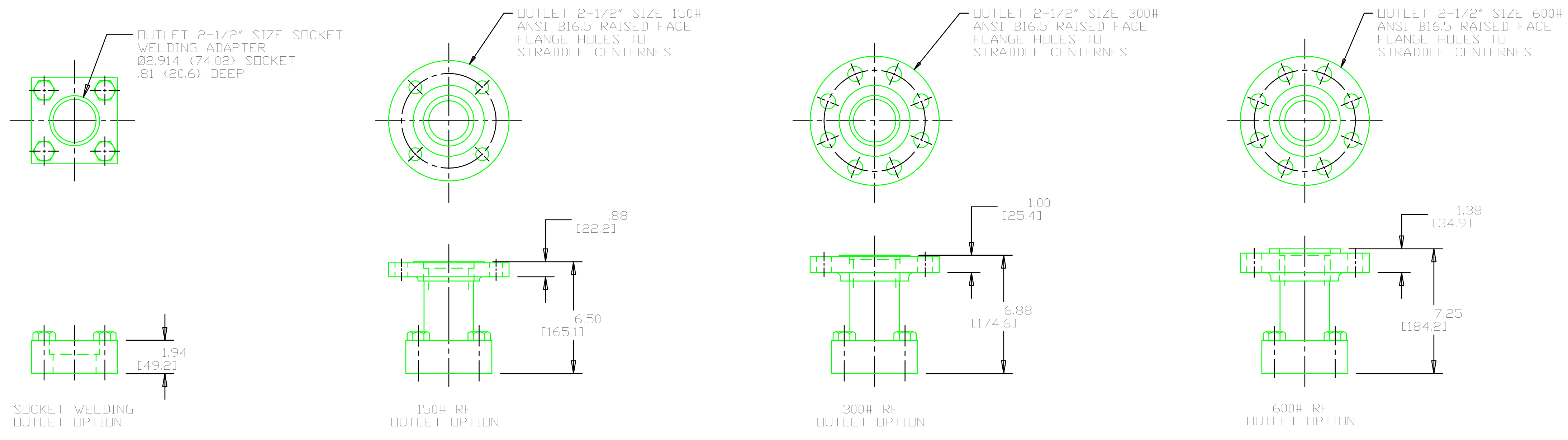


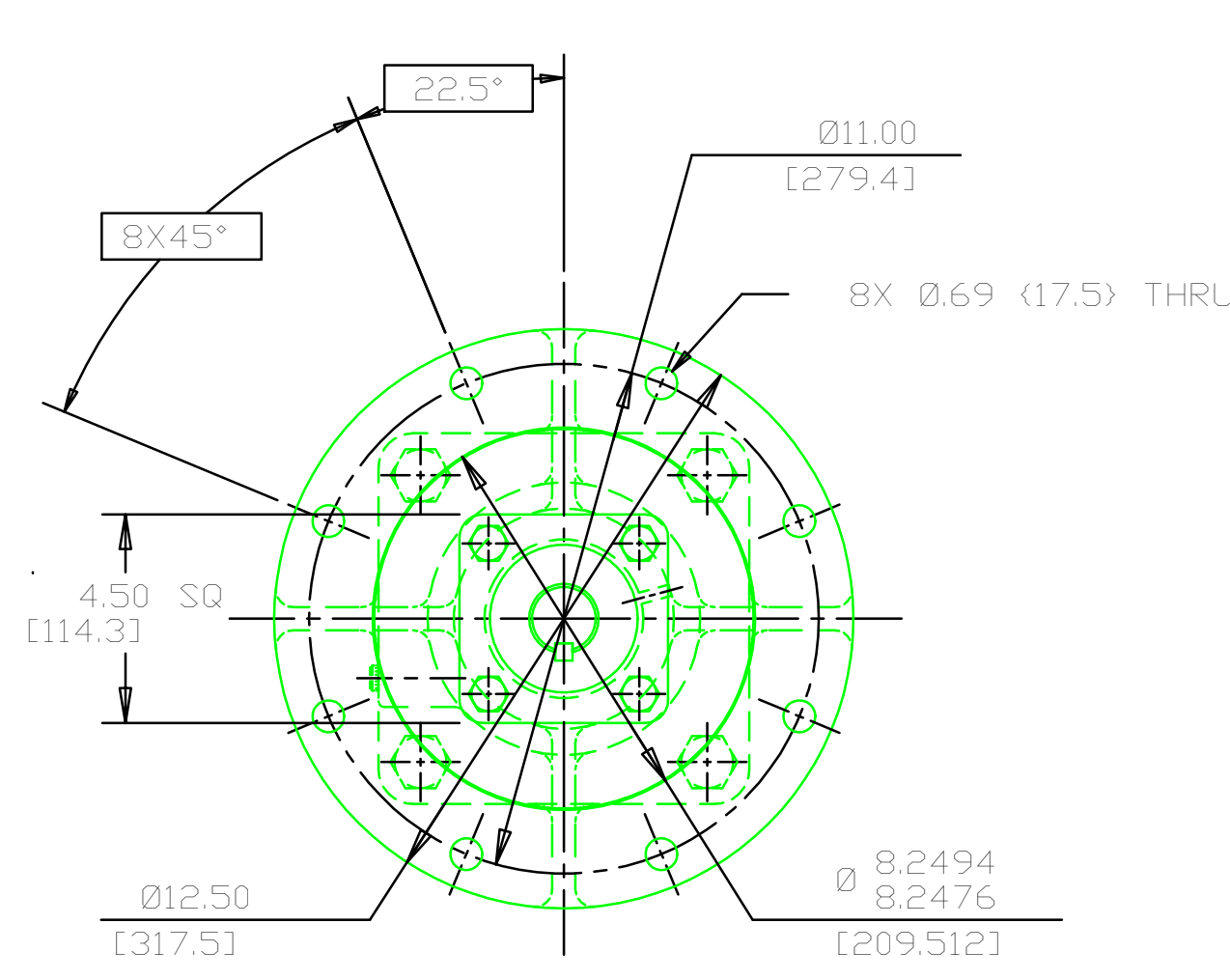
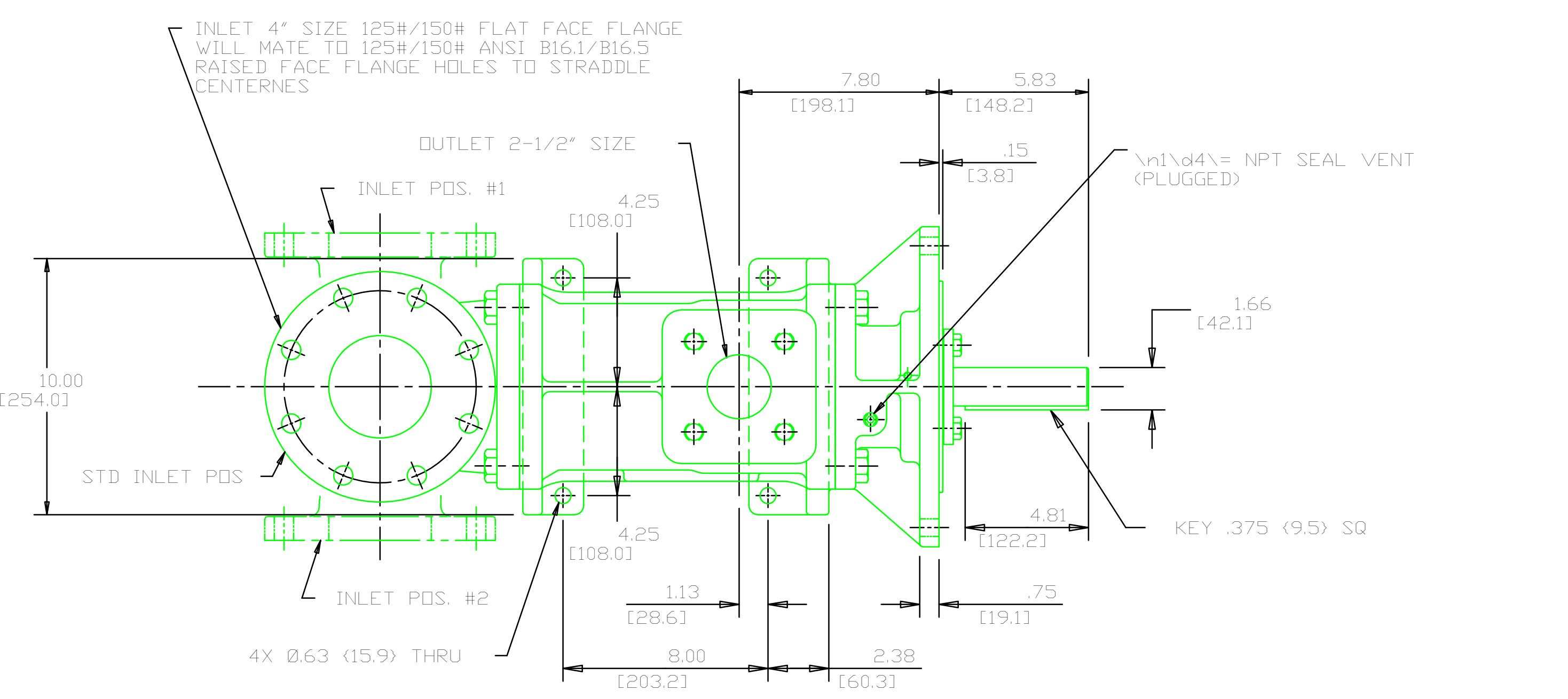
REVISION HISTORY						
CHG NO	ZONE	REV	DESCRIPTION	DATE	BY	APPROVED
00-0579	ALL	01	UPDATED TO LATEST STANDARDS	11-9-00	DMM	DMM
21-0139	A6	02	ADDED NOTE RE: G3DKCS MODEL PUMPS	6-28-21	CDG	CDG



INLET:
 F300 LBE330 N) MX= 500 LB FT(678.m)
 F300 LBE330 N) MY= 500 LB FT(678.m)
 F300 LBE330 N) MZ= 500 LB FT(678.m)

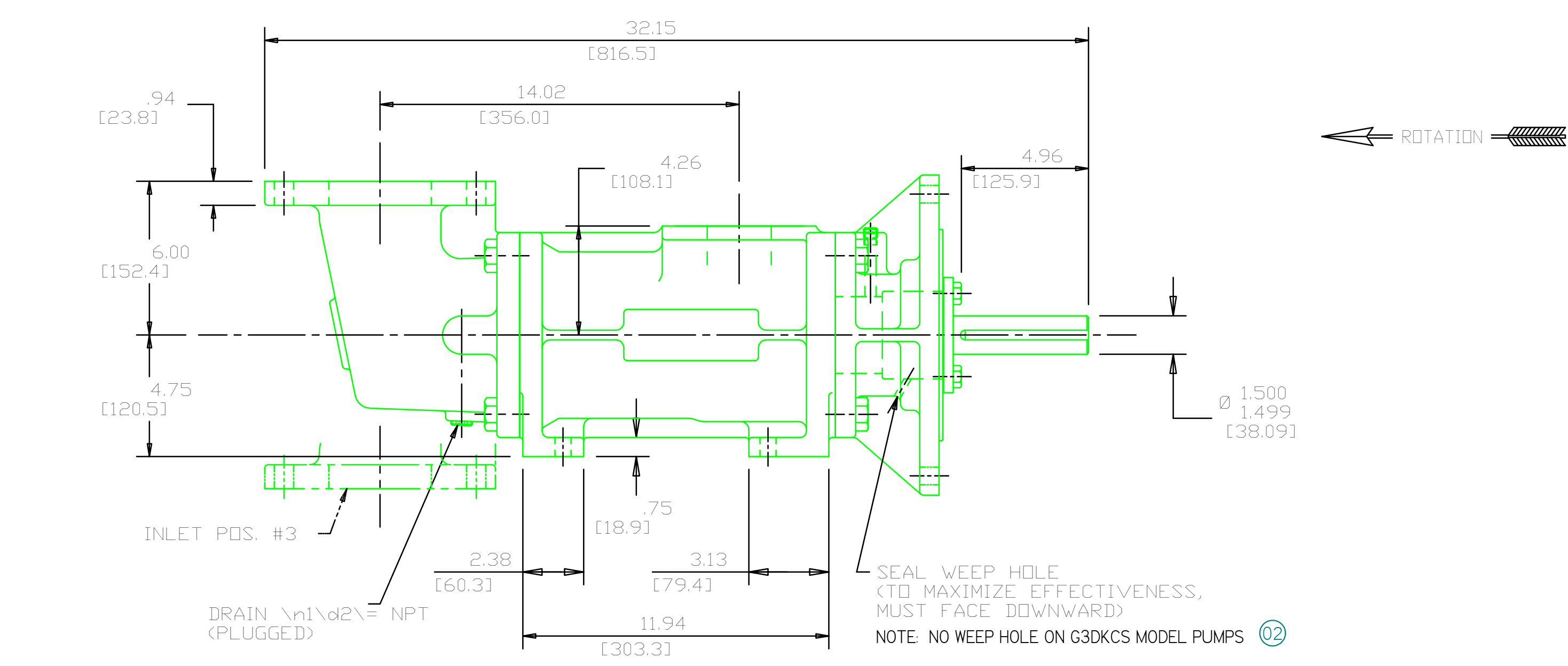
OUTLET:
 F188 LBB36 N) MX= 313 LB FT(424.m)
 F188 LBB36 N) MY= 313 LB FT(424.m)
 F188 LBB36 N) MZ= 313 LB FT(424.m)

FORCE AND MOMENT VALUES ARE RELATIVE TO CENTER OF INLET AND OUTLET PORT FACES.



- NOTES:
- UNLESS OTHERWISE SPECIFIED, ALL DIMENSIONS ARE IN INCHES. DIMENSIONS IN [] ARE MILLIMETERS.
 - TO MAXIMIZE SEAL LIFE, SEAL VENT MUST BE ORIENTED UPWARD (12 O'CLOCK) WHEN PUMP IS INSTALLED HORIZONTALLY. THIS IS NORMAL VENT ORIENTATION WHEN PUMP FEET ARE ORIENTED DOWNWARD. SEAL VENT ORIENTATION IS NOT CRITICAL WHEN PUMP IS INSTALLED WITH SHAFT VERTICALLY UPWARD.
 - PORT, FOOT, AND SEAL VENT ORIENTATIONS ARE SUPPLIED AS SHOWN ON DRAWING UNLESS OTHERWISE SPECIFIED.
 - ALTERNATE INLET PORT POSITIONS ARE PROVIDED IF SPECIFIED ON ORDER. AVAILABLE POSITIONS ARE: STANDARD, POSITION #1, POSITION #2 OR POSITION #3. ALL INLET PORT POSITIONS ARE RELATIVE TO OUTLET PORT.
 - ESTIMATED WEIGHT (WITHOUT PORT ADAPTERS) 240 LBS (108.9 kg).

DRAWING CERTIFICATION	
CUSTOMER NAME	-----
CUSTOMER PO NUMBER	-----
CUSTOMER PART NUMBER	-----
BOM NUMBER	-----
PUMP TYPE	-----
SHAFT ROTATION	-----
INLET PORT POSITION	-----
OUTLET PORT ADAPTER OPTION	-----
OTHER INFORMATION	
CERTIFIED BY	-----
CERTIFIED DATE	-----
IMO ORDER NUMBER	-----
DATA REVISION NUMBER	-----



FACE MOUNT, RIGHT ANGLE INLET
 STEEL 3D-250

DRAWN	JTT	01-15-99		
CHECKED	MJC	01-22-99		
APPD	MJC	01-22-99		
UNLESS OTHERWISE SPECIFIED ASME Y14.5M-1994			TITLE OUTLINE STANDARD (STEEL) G3D_CS_-250_	
COMMENTS: SUCTION STRAINER AND DISCHARGE RELIEF VALVE MUST BE PROVIDED. ALIGNMENT: UNITS ARE ACCURATELY ALIGNED AT THE FACTORY. ALIGNMENT SHOULD BE CHECKED BEFORE STARTING TO ENSURE THAT IT IS STILL WITHIN .005 (0.13) MM. PRESTARTING: FLUSH SUCTION PIPING BEFORE CONNECTING PUMP. PRIME AND VENT PUMP. READ INSTRUCTION MANUAL FOR DETAILS BEFORE STARTING.			FIRST ORDER BPCOMM99	SIZE D
USED ON 3215/153			CAGE CODE 59180	DWG NO SDD19605
SCALE 1/4			WEIGHT SEE NOTE 5	SHEET 1 OF 1