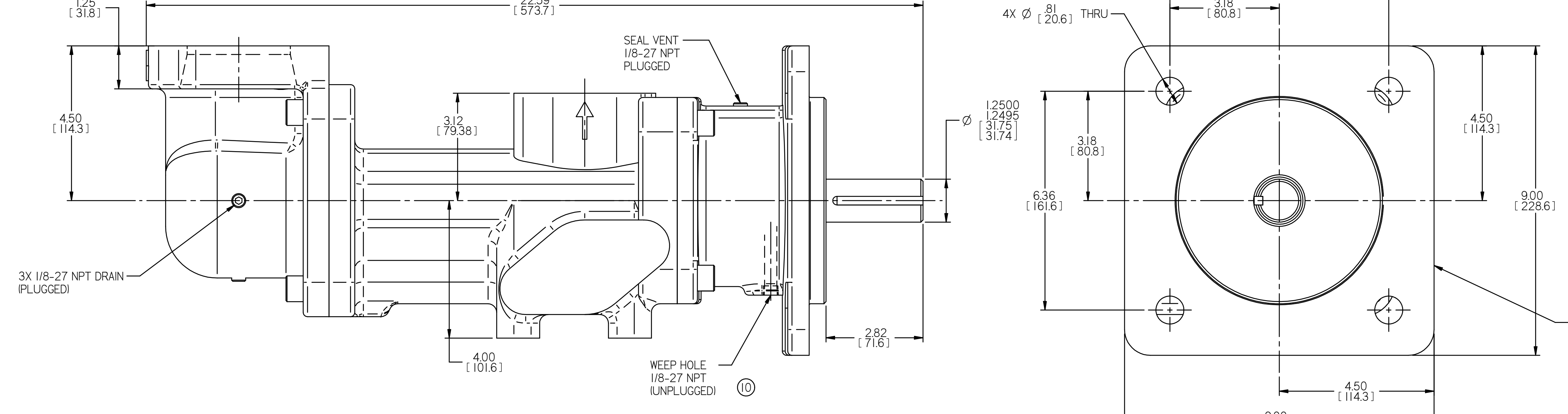
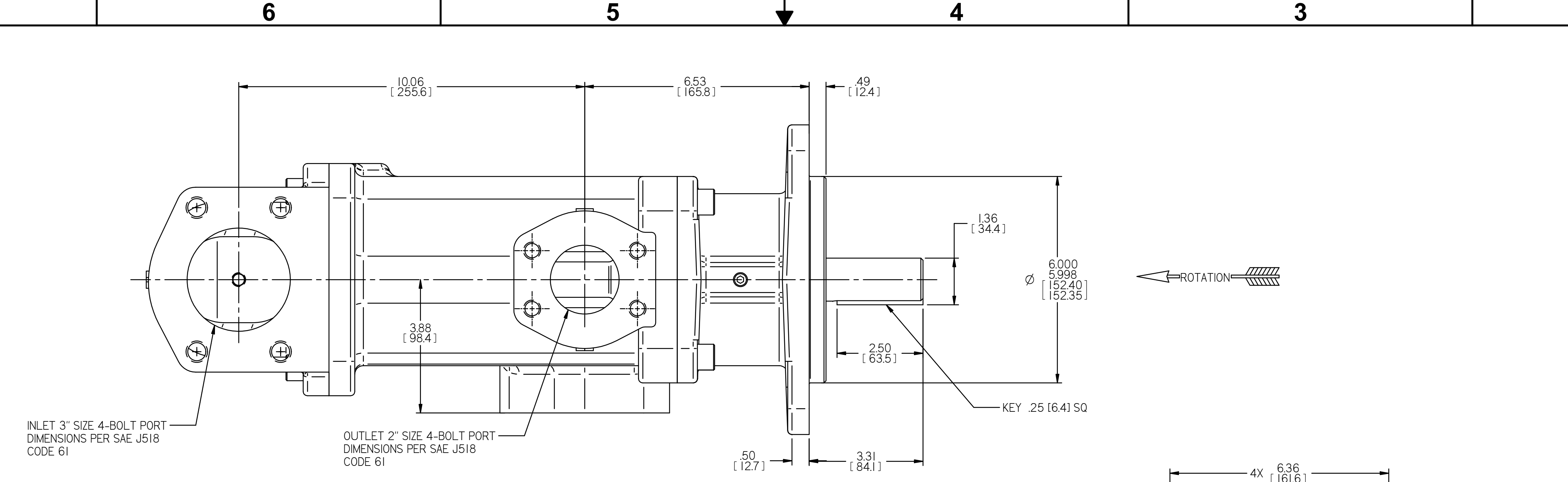
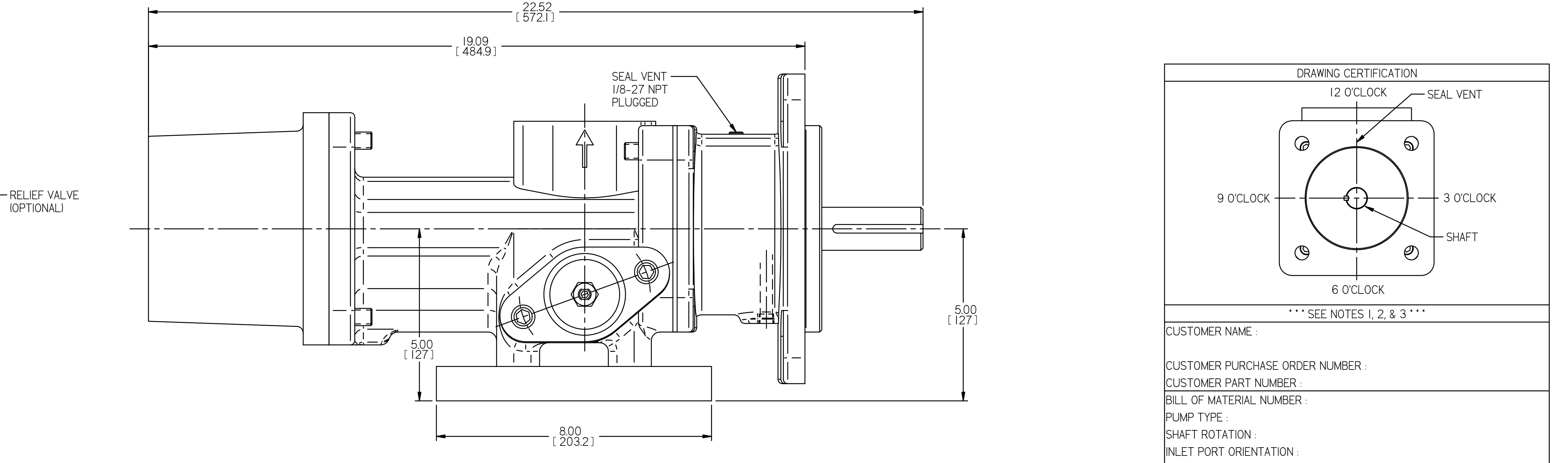
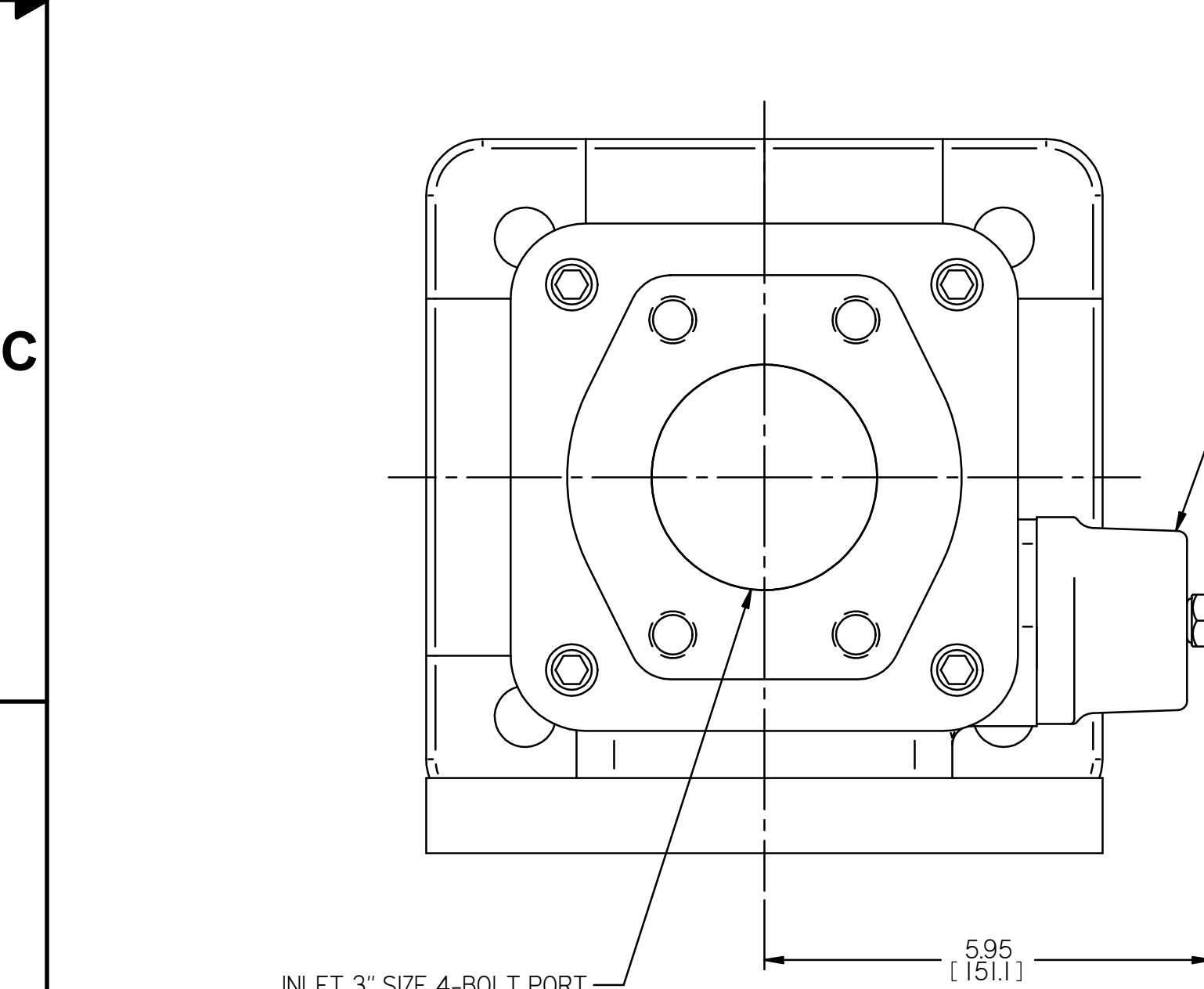


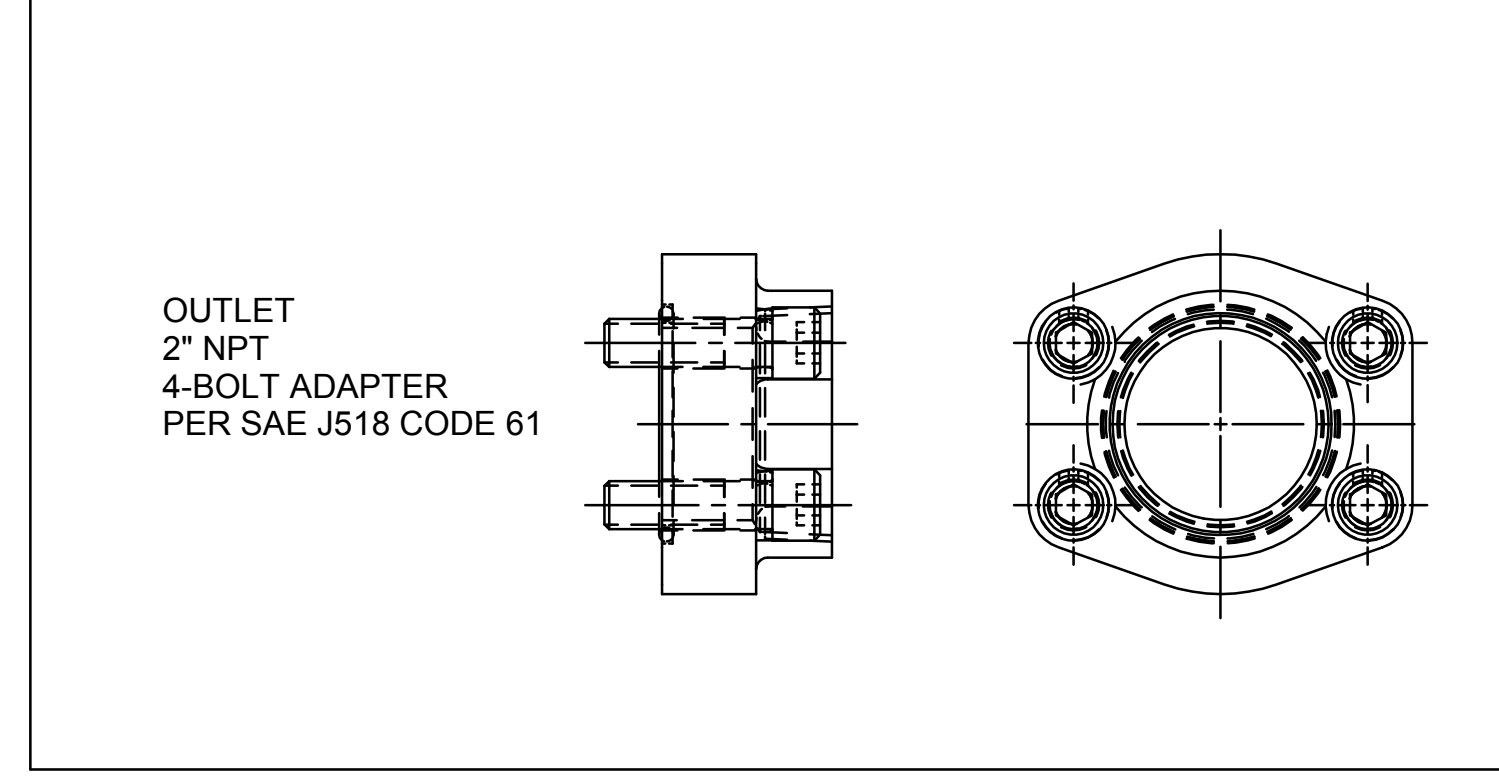
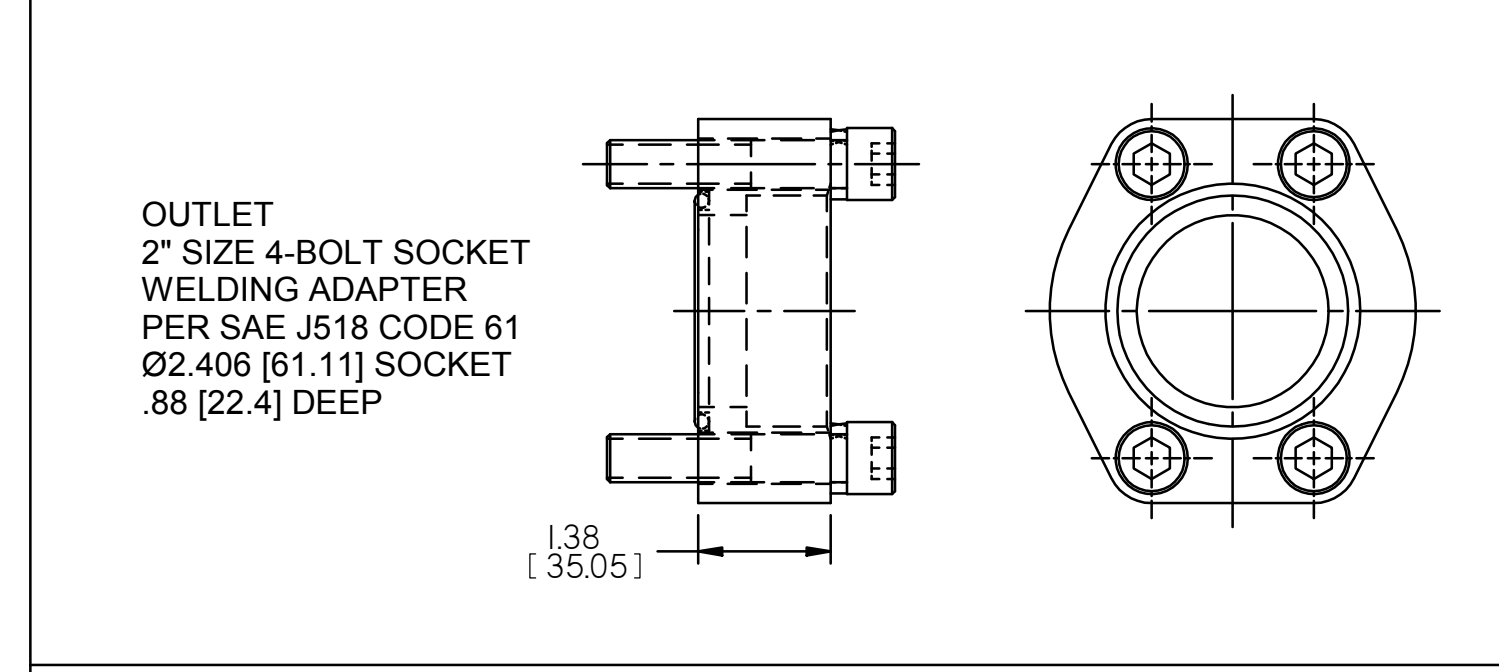
OPTIONAL INLET PORT ADAPTERS



VIEWS FOR ALTERNATIVE AXIAL INLET, FOOT MOUNT, WEEP HOLE AND RELIEF VALVE CONFIGURATIONS



REVISION HISTORY					
CHG NO	ZONE	REV	DESCRIPTION	DATE	BY / APPROVED
22-0000	ALL	12	UPDATED TITLE BLOCK, FORCES & MOMENTS STAMP	1-27-22	CDG / CDG



OPTIONAL OUTLET PORT ADAPTERS

DRAWING CERTIFICATION		
12 O'CLOCK	SEAL VENT	
9 O'CLOCK		3 O'CLOCK
		SHAFT
6 O'CLOCK		

*** SEE NOTES 1, 2, & 3 ***

COORDINATE SYSTEM FOR MAXIMUM PUMP FORCES (F) AND MOMENTS (M)		
	LB-F	N
INLET: Fx, Fy, Fz	225	1000
OUTLET: Fx, Fy, Fz	150	667

	LB-FT	Nm
INLET: Mx, My, Mz	375	508
OUTLET: Mx, My, Mz	250	339

FORCE AND MOMENT VALUES ARE RELATIVE TO CENTER OF INLET AND OUTLET PORT FACES.

CUSTOMER NAME: _____

CUSTOMER PURCHASE ORDER NUMBER: _____

CUSTOMER PART NUMBER: _____

BILL OF MATERIAL NUMBER: _____

PUMP TYPE: _____

SHAFT ROTATION: _____

INLET PORT ORIENTATION: _____

OUTLET PORT ORIENTATION: _____

FOOT BRACKET ORIENTATION: _____

INLET PORT OPTION: _____

INLET ADAPTER OPTION: _____

OUTLET ADAPTER OPTION: _____

RELIEF VALVE SET PRESSURE: _____ IF APPLICABLE

OTHER INFORMATION: _____

CERTIFIED BY: _____

CERTIFIED DATE: _____

IMO ORDER NUMBER: _____

DATA REVISION NUMBER: _____

- NOTES:
- TO MAXIMIZE SEAL LIFE, SEAL VENT MUST BE ORIENTED UPWARD (12 O'CLOCK) WHEN PUMP IS INSTALLED HORIZONTALLY. VENT ORIENTATION IS NOT CRITICAL WHEN PUMP IS INSTALLED WITH SHAFT VERTICALLY UPWARD.
 - PORT, FOOT, AND SEAL VENT ORIENTATIONS ARE SUPPLIED AS SHOWN ON DRAWING UNLESS OTHERWISE SPECIFIED.
 - ALTERNATE PORT AND FOOT ORIENTATIONS ARE PROVIDED IF SPECIFIED ON ORDER. AVAILABLE ORIENTATIONS ARE 3, 6, 9, AND 12 O'CLOCK.
 - BOLT PATTERN FOR SAE 4-BOLT AXIAL INLET IS ALWAYS ORIENTED AS SHOWN WITH RESPECT TO OUTLET PORT.
 - APPROXIMATE PUMP WEIGHT (WITHOUT ADAPTERS):
 187 FLANGE MOUNT PUMP-----124 LBS. [56.2 kgs]
 187 FOOT MOUNT PUMP-----139 LBS. [63.1 kgs]
 200 FLANGE MOUNT PUMP-----117 LBS. [53.1 kgs]
 200 FOOT MOUNT PUMP-----136 LBS. [61.7 kgs]
 - UNLESS OTHERWISE SPECIFIED, ALL DIMENSIONS ARE IN INCHES. DIMENSIONS IN \varnothing ARE MILLIMETERS.

DRAWN	CDG	9-10-01		
CHECKED	DMM	9-13-01		
APPROVED	ERH	9-13-01		
MATERIAL			TITLE	
UNLESS OTHERWISE SPECIFIED ASME Y14.5M-1994			OUTLINE STANDARD (IRON)	
COMMENTS: SECTION STRAINER AND DISCHARGE RELIEF VALVE MUST BE PROVIDED ALIGNMENT UNITS ARE ACCURATELY ALIGNED AT THE FACTORY. ALIGNMENT SHOULD BE CHECKED BEFORE STARTING TO ENSURE THAT IT IS STILL WITHIN COS ID (31.75) REQUIREMENTS. FLUSH SUCTION PIPING BEFORE CONNECTING PUMP. PRIME AND VENT PUMP. READ INSTRUCTION MANUAL FOR DETAILS BEFORE STARTING.			3G/-----[187/200]---	
PROCESS			FIRST ORDER	SIZE
			E1109A	F 59180
			SCALE	WEIGHT
			1/2	SEE NOTE 5
			SHEET	1 OF 1

IRON 3G-187/200