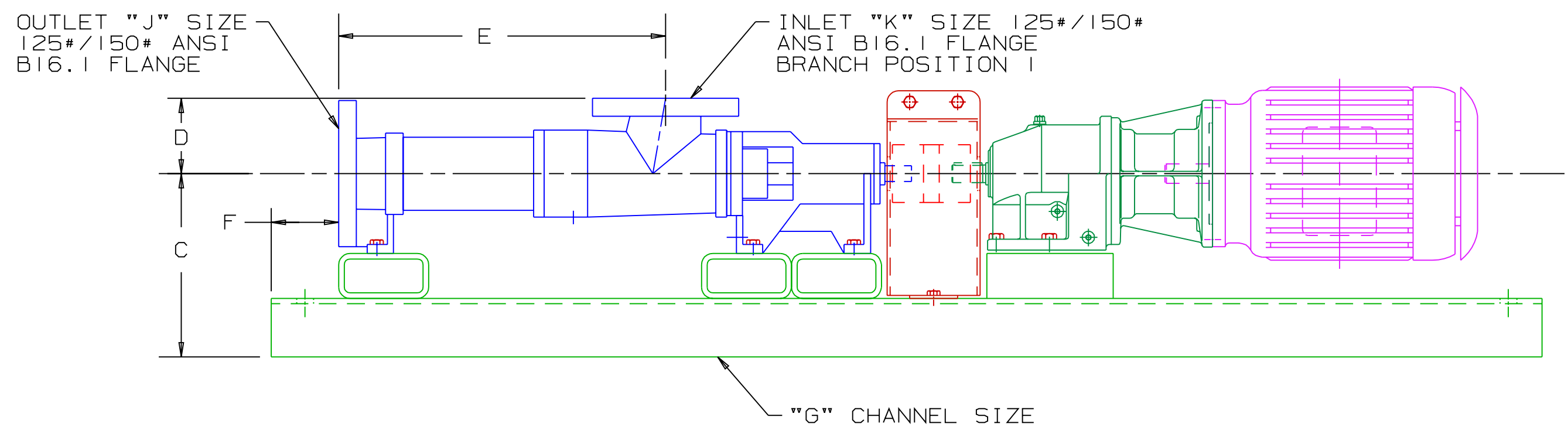
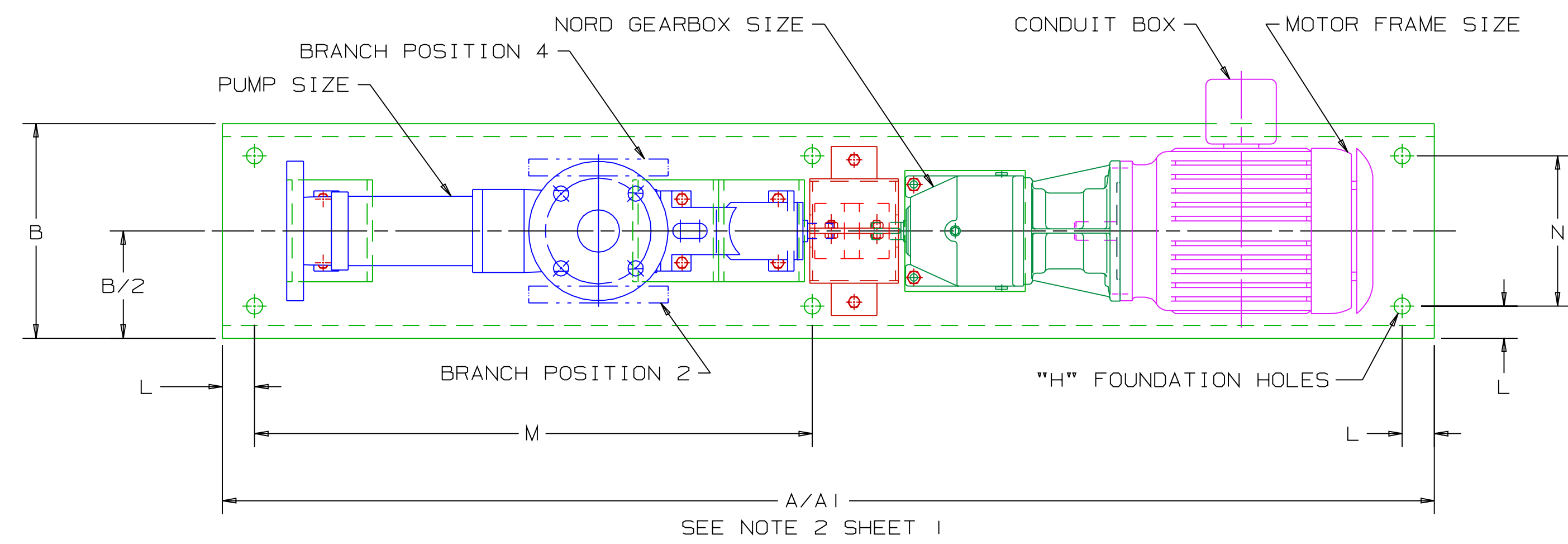


REVISION HISTORY						
CHG NO	ZONE	REV	DESCRIPTION	DATE	BY	APPROVED
05-0131	ALL	01	ADDED BEDPLATE GROUP NUMBERS AND COUPLING SIZE	6-6-05	ERH	MV



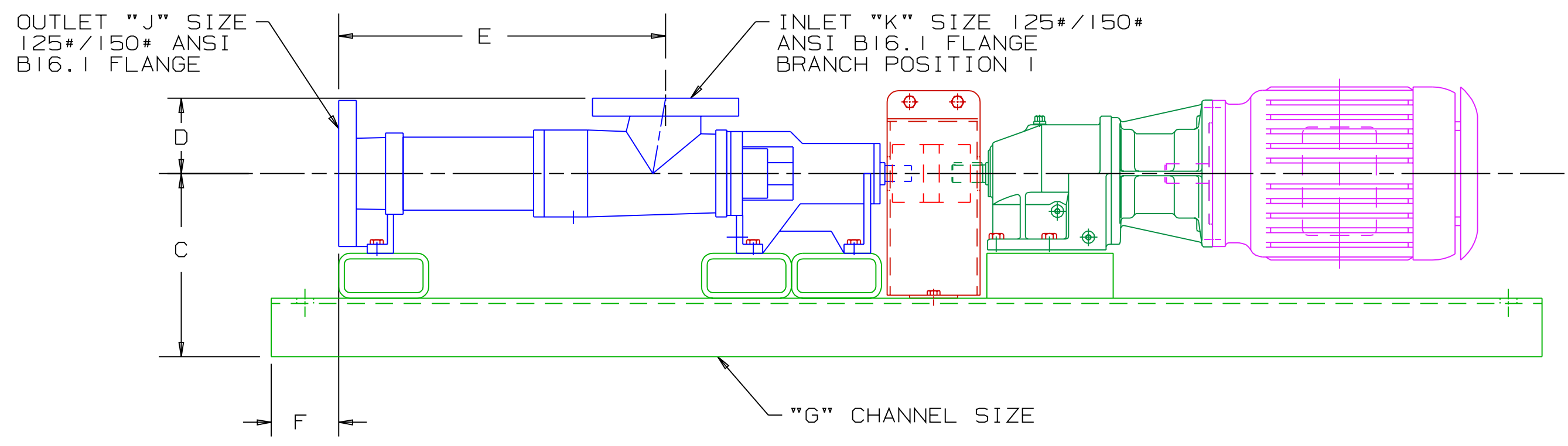
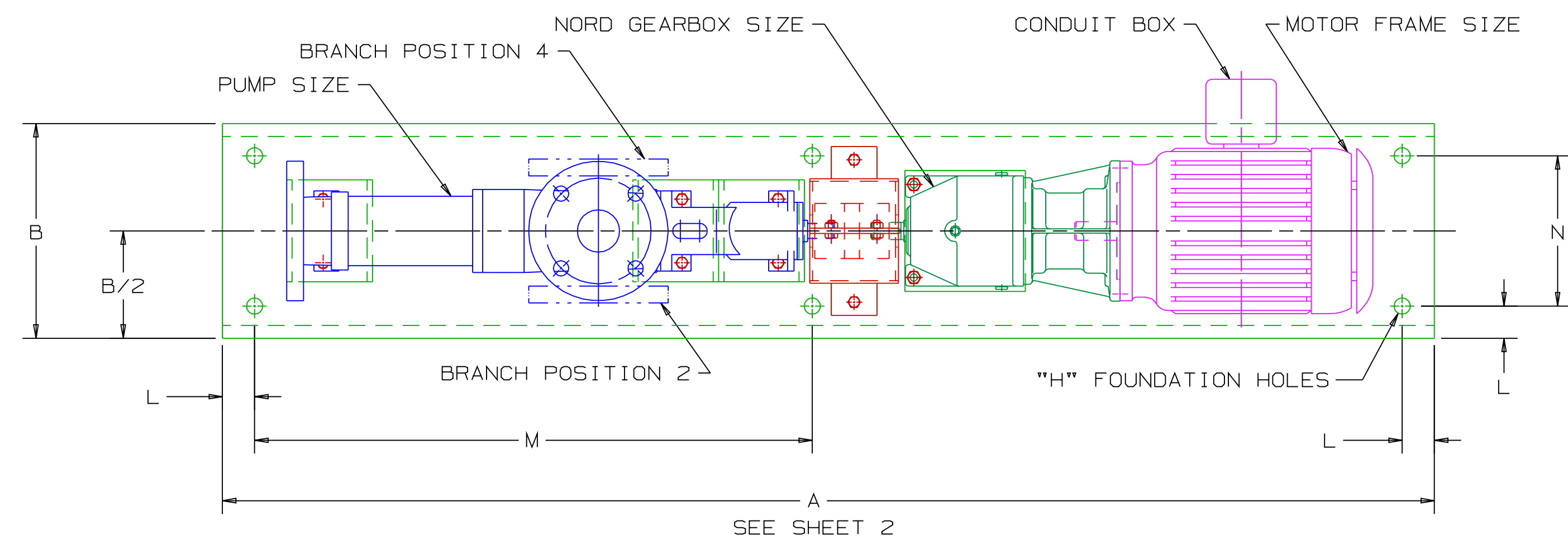
DRAWING CERTIFICATION	
CUSTOMER NAME	-----
CUSTOMER PO NUMBER	-----
CUSTOMER PART NUMBER	---
PUMP DATA	
ITEM NUMBER	-----
PUMP SIZE	-----
SHAFT ROTATION	-----
INLET POSITION	-----
GEAR BOX DATA	
GEAR BOX MODEL NO.	-----
SPEED	-----
MOTOR DATA	
MOTOR	-----
FRAME	-----
TYPE	-----
H.P.	-----
RPM	-----
PHASE	-----
HERTZ	-----
VOLTS	-----
DRIVER DIMENSIONS MAY VARY WITH TYPE AND MAKE OF DRIVER.	
OTHER INFORMATION	
CERTIFIED BY	-----
CERTIFIED DATE	-----
IMO ORDER NUMBER	-----
DATA REVISION NUMBER	---

ITEM NO	PUMP	GEAR BOX SIZE	MOTOR FRAME	A	A1	B	C	D	E	F	G	H	J	K	L	M	N	WT LB NEMA MOTOR	WT LB GEAR MOTOR	BEDPLATE GROUP NO.	LOVEJOY CURVED JAW COUPLING SIZE
001	AE2E0050	SK02	56C	62.75	56	10	8.14	3.35	20.8	3	C10 X 15.3#/FT	6X 3/4 DIA. THRU	2	2	1.5	29.88	7	251	205	PCBP20686A	28/38
002	AE2E0050	SK02	143TC	62.75	56	10	8.14	3.35	20.8	3	C10 X 15.3#/FT	6X 3/4 DIA. THRU	2	2	1.5	29.88	7	284	211	PCBP20686A	28/38
003	AE2E0050	SK02	145TC	62.75	58	10	8.14	3.35	20.8	3	C10 X 15.3#/FT	6X 3/4 DIA. THRU	2	2	1.5	29.88	7	294	219	PCBP20686A	28/38
004	AE2E0050	SK12	145TC	62.75	58	10	8.14	3.35	20.8	3	C10 X 15.3#/FT	6X 3/4 DIA. THRU	2	2	1.5	29.88	7	298	223	PCBP20686A	28/38
005	AE2E0050	SK12	182TC	66	59	10	8.14	3.35	20.8	3	C10 X 15.3#/FT	6X 3/4 DIA. THRU	2	2	1.5	31.5	7	330	236	PCBP20686A	28/38
006	AE2E0050	SK22	182TC	68	61	10	9.14	3.35	20.8	3	C10 X 15.3#/FT	6X 3/4 DIA. THRU	2	2	1.5	32.5	7	363.5	269.5	PCBP20686A	28/38
007	AE2E0050	SK22	184TC	68	61	10	9.14	3.35	20.8	3	C10 X 15.3#/FT	6X 3/4 DIA. THRU	2	2	1.5	32.5	7	398.5	276.5	PCBP20686A	28/38
008	AE2E0100	SK12	143TC	68	62	10	8.54	3.54	25.4	3	C10 X 15.3#/FT	6X 3/4 DIA. THRU	2.5	2.5	1.5	32.5	7	325.5	254.5	PCBP20686A	28/38
009	AE2E0100	SK12	145TC	68	62	10	8.54	3.54	25.4	3	C10 X 15.3#/FT	6X 3/4 DIA. THRU	2.5	2.5	1.5	32.5	7	335.5	260.5	PCBP20686A	28/38
010	AE2E0100	SK12	182TC	70	65	10	8.54	3.54	25.4	3	C10 X 15.3#/FT	6X 3/4 DIA. THRU	2.5	2.5	1.5	33.5	7	370.5	279.5	PCBP20686A	28/38
011	AE2E0100	SK22	182TC	73	67	12	8.88	3.54	25.4	3	C12 X 20.7#/FT	6X 3/4 DIA. THRU	2.5	2.5	1.5	35	9	426	331	PCBP20686B	38/45
012	AE2E0100	SK22	184TC	75	67	12	8.88	3.54	25.4	3	C12 X 20.7#/FT	6X 3/4 DIA. THRU	2.5	2.5	1.5	36	9	464	338	PCBP20686B	38/45
013	AE2E0100	SK32	184TC	78	70	12	9.88	3.54	25.4	3	C12 X 20.7#/FT	6X 3/4 DIA. THRU	2.5	2.5	1.5	37.5	9	488	366	PCBP20686B	38/45
014	AE2E0100	SK32	213TC	82	74	12	9.88	3.54	25.4	3	C12 X 20.7#/FT	6X 3/4 DIA. THRU	2.5	2.5	1.5	37.5	9	520	424	PCBP20686B	38/45
015	AE2E0200	SK22	145TC	80	74	12	9.86	4.13	31.6	3	C12 X 20.7#/FT	6X 3/4 DIA. THRU	3	3	1.5	38.5	9	482	402.5	PCBP20686B	38/45
016	AE2E0200	SK22	182TC	82	75	12	9.86	4.13	31.6	3	C12 X 20.7#/FT	6X 3/4 DIA. THRU	3	3	1.5	39.5	9	510	413.8	PCBP20686B	38/45
017	AE2E0200	SK22	184TC	82	75	12	9.86	4.13	31.6	3	C12 X 20.7#/FT	6X 3/4 DIA. THRU	3	3	1.5	39.5	9	545	420.8	PCBP20686B	38/45
018	AE2E0200	SK32	213TC	90	83	12	9.86	4.13	31.6	3	C12 X 20.7#/FT	6X 3/4 DIA. THRU	3	3	1.5	43.5	9	587	492	PCBP20686B	55/70
019	AE2E0200	SK32	215TC	90	83	12	9.86	4.13	31.6	3	C12 X 20.7#/FT	6X 3/4 DIA. THRU	3	3	1.5	43.5	9	613.5	510.5	PCBP20686B	42/55
020	AE2E0200	SK42	254TC	96	87	15	11.32	4.13	31.6	3	C15 X 33.9#/FT	6X 3/4 DIA. THRU	3	3	1.5	46.5	12	904.5	731	PCBP20686C	42/55
021	AE2E0380	SK32	213TC	98	89	12	10.45	4.72	37.6	3	C12 X 20.7#/FT	6X 3/4 DIA. THRU	4	4	1.5	47.5	9	677	580	PCBP20686D	42/55
022	AE2E0380	SK32	215TC	98	89	12	10.45	4.72	37.6	3	C12 X 20.7#/FT	6X 3/4 DIA. THRU	4	4	1.5	47.5	9	705	600	PCBP20686D	65/75
023	AE2E0380	SK42	254TC	106	95	15	11.91	4.72	37.6	3	C15 X 33.9#/FT	6X 3/4 DIA. THRU	4	4	1.5	51.5	12	1010	805	PCBP20686C	65/75
024	AE2E0380	SK42	256TC	106	95	15	11.91	4.72	37.6	3	C15 X 33.9#/FT	6X 3/4 DIA. THRU	4	4	1.5	51.5	12	1034	834	PCBP20686C	55/70

NOTE:
1. ALL DIMENSIONS ±1/4
2. "A" DIM = UNIT LENGTH WITH NEMA MOTOR/NORD GEARBOX
"A1" DIM = UNIT LENGTH WITH NORD GEARMOTOR

DRAWN	ERH03-02-05		Imo Pump 1710 Airport Road PO Box 5020 Monroe, NC USA 28111.5020
CHECKED	BMR03-07-05		
APPROVED	JOJ03-07-05		
TITLE	STANDARD UNIT OUTLINE DRAWING		
ITEM NO	AEZE		
SIZE	CAGE CODE	DWG NO	
D	59180	SDD20686	
SCALE	1/4	WEIGHT	SEE ABOVE
		SHEET	1 OF 2

REVISION HISTORY						
CHG NO	ZONE	REV	DESCRIPTION	DATE	BY	APPROVED
			SEE SHEET 1 FOR REVISIONS			



ITEM NO	PUMP	GEAR BOX SIZE	MOTOR FRAME	A	A1	B	C	D	E	F	G	H	J	K	L	M	N	WT LB NEMA MOTOR	WT LB GEAR MOTOR	BEDPLATE GROUP NO.	LOVEJOY CURVED JAW COUPLING SIZE
025	AE2E0750	SK32	215TC	112	102	12	11.24	5.51	47.2	3	C12 X 20.7#/FT	6X 3/4 DIA. THRU	5	5	1.5	54.5	9	886	779	PCBP20686E	55/70
026	AE2E0750	SK42	184TC	110	104	12	11.24	5.51	47.2	3	C12 X 20.7#/FT	6X 3/4 DIA. THRU	5	5	1.5	53.5	9	867	734	PCBP20686E	65/75
027	AE2E0750	SK52	254TC	120	110	15	12.70	5.51	47.2	3	C15 X 33.9#/FT	6X 3/4 DIA. THRU	5	5	1.5	58.5	12	1190	1006	PCBP20686F	75/90
028	AE2E0750	SK52	256TC	120	110	15	12.70	5.51	47.2	3	C15 X 33.9#/FT	6X 3/4 DIA. THRU	5	5	1.5	58.5	12	1215	1039	PCBP20686F	75/90
029	AE2E0750	SK52	284TC	124	111	18	13.25	5.51	47.2	3	MC18 X 42.7#/FT	6X 3/4 DIA. THRU	5	5	1.5	60.5	15	1498	1251	PCBP20686G	75/90
030	AE2E0750	SK52	286TC	124	111	18	13.25	5.51	47.2	3	MC18 X 42.7#/FT	6X 3/4 DIA. THRU	5	5	1.5	60.5	15	1517	1273	PCBP20686G	75/90
031	AE2E0750	SK62	324TC	132	121	18	14.25	5.51	47.2	3	MC18 X 42.7#/FT	6X 3/4 DIA. THRU	5	5	1.5	64.5	15	1998	1633	PCBP20686G	75/90
032	AE2E0750	SK72	326TC	134	124	18	16.25	5.51	47.2	3	MC18 X 42.7#/FT	6X 3/4 DIA. THRU	5	5	1.5	65.5	15	2224.5	1885.5	PCBP20686G	90/100
033	AE2E1450	SK52	254TC	134	124	15	13.49	6.69	59.5	3	C15 X 33.9#/FT	6X 3/4 DIA. THRU	6	6	1.5	66	12	1511.5	1393.5	PCBP20686F	75/90
034	AE2E1450	SK52	256TC	134	124	15	13.49	6.69	59.5	3	C15 X 33.9#/FT	6X 3/4 DIA. THRU	6	6	1.5	66	12	1536.5	1552.5	PCBP20686F	75/90
035	AE2E1450	SK52	284TC	138	124	18	14.04	6.69	59.5	3	MC18 X 42.7#/FT	6X 3/4 DIA. THRU	6	6	1.5	68	15	1830.5	1578.5	PCBP20686G	75/90
036	AE2E1450	SK52	286TC	138	124	18	14.04	6.69	59.5	3	MC18 X 42.7#/FT	6X 3/4 DIA. THRU	6	6	1.5	68	15	1849.5	1600.5	PCBP20686G	75/90
037	AE2E1450	SK62	284TC	144	128	18	15.04	6.69	59.5	3	MC18 X 42.7#/FT	6X 3/4 DIA. THRU	6	6	1.5	70.5	15	1971	1732	PCBP20686H	90/100
038	AE2E1450	SK62	286TC	144	128	18	15.04	6.69	59.5	3	MC18 X 42.7#/FT	6X 3/4 DIA. THRU	6	6	1.5	70.5	15	1990	1752	PCBP20686H	90/100
039	AE2E1450	SK62	324TC	146	136	18	15.04	6.69	59.5	3	MC18 X 42.7#/FT	6X 3/4 DIA. THRU	6	6	1.5	71.5	15	2342	1980	PCBP20686H	90/100
040	AE2E1450	SK63	256TC	140	128	18	15.04	6.69	59.5	3	MC18 X 42.7#/FT	6X 3/4 DIA. THRU	6	6	1.5	68.5	15	1793	1665	PCBP20686H	90/100
041	AE2E2700	SK52	284TC	156	150	18	14.81	7.87	73.3	3	MC18 X 42.7#/FT	6X 3/4 DIA. THRU	8	8	1.5	76.5	15	2431.5	2208.5	PCBP20686H	90/100
042	AE2E2700	SK52	286TC	156	150	18	14.81	7.87	73.3	3	MC18 X 42.7#/FT	6X 3/4 DIA. THRU	8	8	1.5	76.5	15	2450.5	2230.5	PCBP20686H	90/100
043	AE2E2700	SK62	284TC	162	146	18	14.81	7.87	73.3	3	MC18 X 42.7#/FT	6X 3/4 DIA. THRU	8	8	1.5	79.5	15	2525.5	2286.5	PCBP20686H	90/100
044	AE2E2700	SK62	286TC	162	146	18	14.81	7.87	73.3	3	MC18 X 42.7#/FT	6X 3/4 DIA. THRU	8	8	1.5	79.5	15	2544.5	2308.5	PHBP20686H	90/100
045	AE2E2700	SK62	324TC	164	154	18	14.81	7.87	73.3	3	MC18 X 42.7#/FT	6X 3/4 DIA. THRU	8	8	1.5	80.5	15	2896.5	2535.5	PCBP20686H	90/100
046	AE2E2700	SK82	324TC	170	160	18	18.81	7.87	73.3	3	MC18 X 42.7#/FT	6X 3/4 DIA. THRU	8	8	1.5	83.5	15	3478	3113	PCBP20686J	100/110
047	AE2E2700	SK82	326TC	170	160	18	18.81	7.87	73.3	3	MC18 X 42.7#/FT	6X 3/4 DIA. THRU	8	8	1.5	83.5	15	3475	3136	PCBP20686J	100/110
048	AE2E2700	SK82	364TC	175	164	18	18.81	7.87	73.3	3	MC18 X 42.7#/FT	6X 3/4 DIA. THRU	8	8	1.5	86	15	3748	3262	PCBP20686J	100/110
048	AE2E2700	SK82	365TC	175	164	18	18.81	7.87	73.3	3	MC18 X 42.7#/FT	6X 3/4 DIA. THRU	8	8	1.5	86	15	3814	3458	PCBP20686J	100/110

NOTE:
 1. ALL DIMENSIONS ±1/4
 2. "A" DIM = UNIT LENGTH WITH NEMA MOTOR/NORD GEARBOX
 "A1" DIM = UNIT LENGTH WITH NORD GEARMOTOR

DRAWN	ERH03-02-05	 Imo Pump 1710 Airport Road PO Box 5020 Monroe, NC USA 28111.5020
CHECKED	BMR03-07-05	
APPROVED	JOJ03-07-05	
MATERIAL		TITLE
PROCESS		STANDARD UNIT OUTLINE DRAWING
COMMENTS: STANDARD ROTATION IS CLOCKWISE WHEN VIEWED FROM COUPLING END OF PUMP. SUCTION STRAINER AND DISCHARGE RELIEF VALVE MUST BE PROVIDED. ALIGNMENT: UNITS ARE ACCURATELY ALIGNED AT THE FACTORY. ALIGNMENT SHOULD BE CHECKED BEFORE STARTING TO ENSURE THAT IT IS STILL WITHIN .005 (0.15) FTW. PRESTARTING: FLUSH SUCTION PIPING BEFORE CONNECTING PUMP. PRIME AND VENT PUMP. DO NOT START PUMP WITH VALVES CLOSED. READ INSTRUCTION MANUAL FOR DETAILS BEFORE STARTING.		SIZE: D CAGE CODE: 59180 DWG NO: SDD20686 SCALE: 1/4 WEIGHT: SEE ABOVE SHEET: 2 OF 2