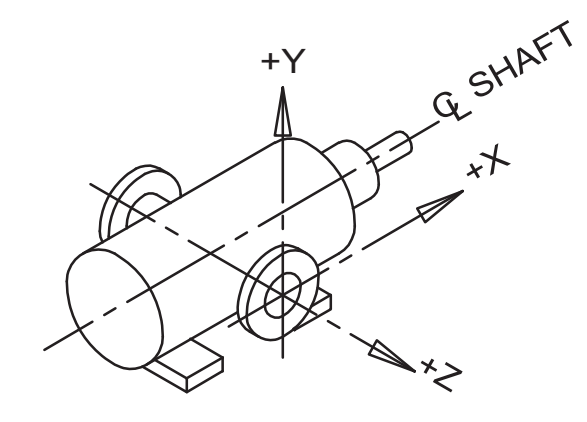
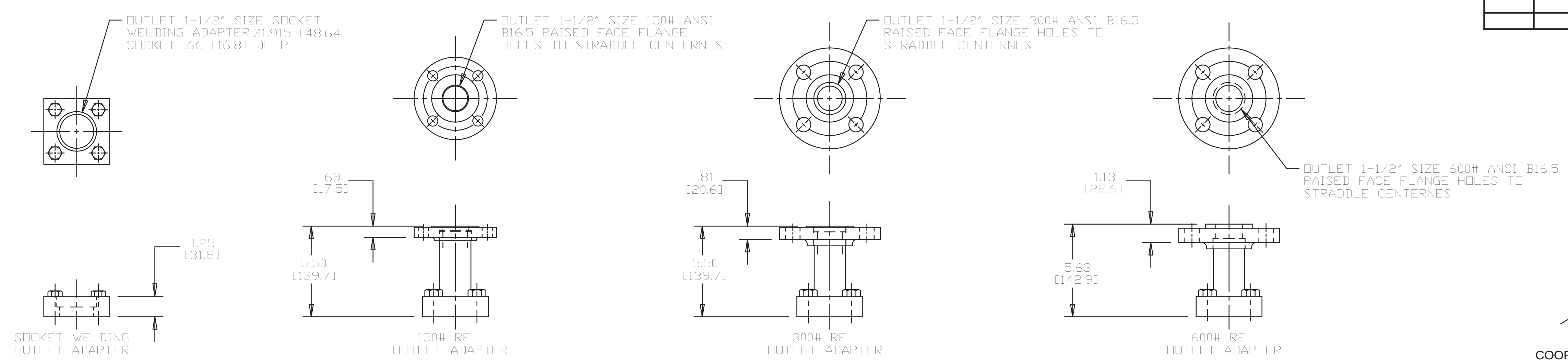


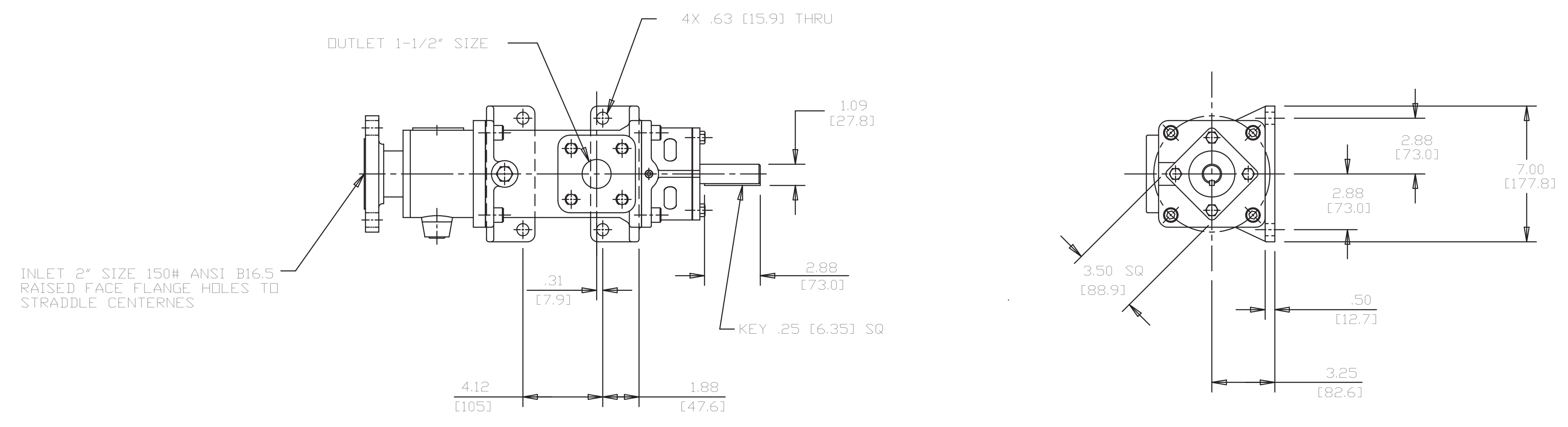
REVISION HISTORY					
CHG NO	ZONE	REV	DESCRIPTION	DATE	BY / APPROVED
08-0435	ALL	3	ADDED STANDARD BLOCK	10-22-08	ERH / ERH



INLET:  
 FX= 188 LBF [836 N] MX= 313 LB FT [424 N.m]  
 FY= 188 LBF [836 N] MY= 313 LB FT [424 N.m]  
 FZ= 188 LBF [836 N] MZ= 313 LB FT [424 N.m]

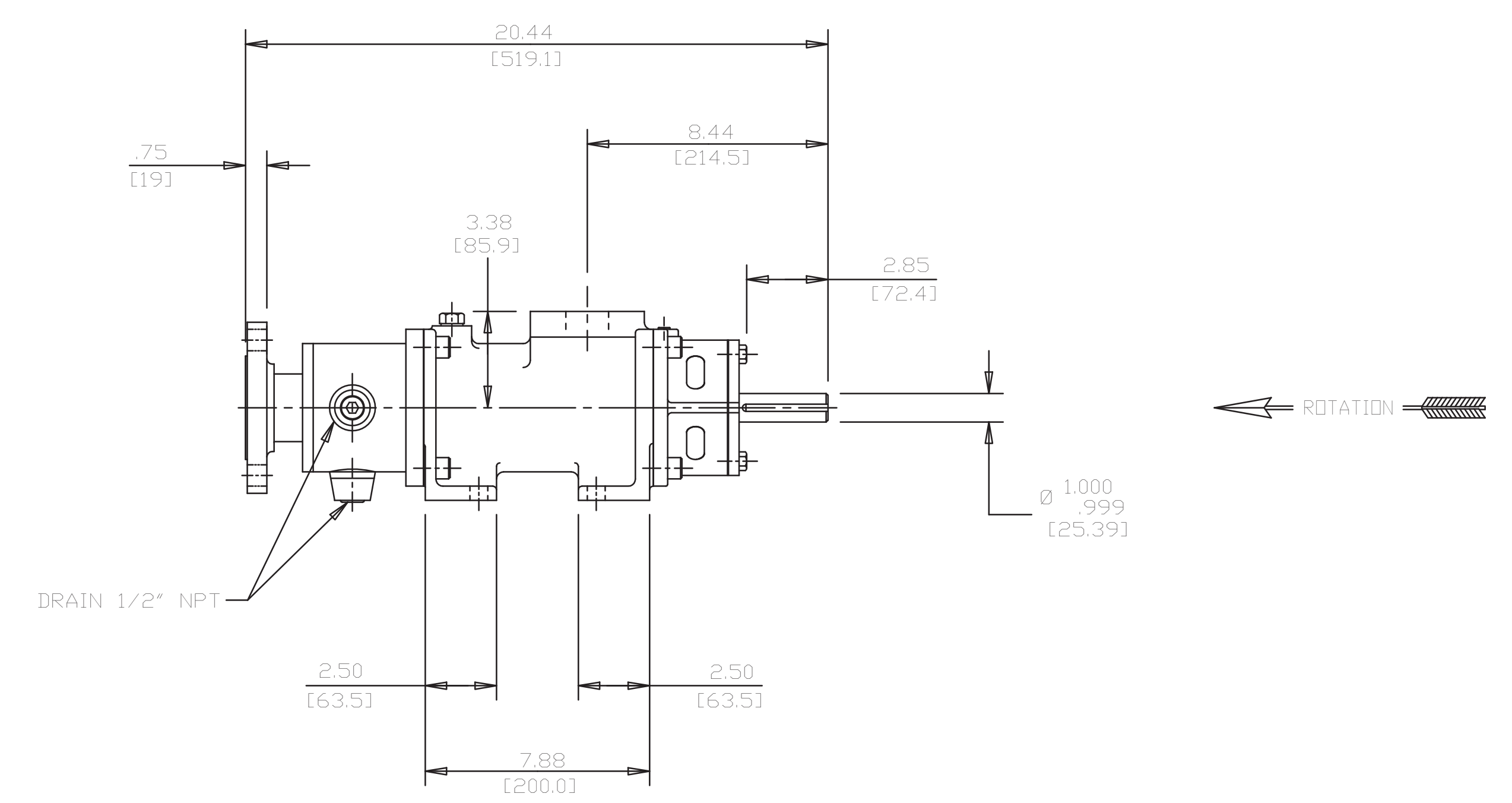
OUTLET:  
 FX= 113 LBF [500 N] MX= 188 LB FT [254 N.m]  
 FY= 113 LBF [500 N] MY= 188 LB FT [254 N.m]  
 FZ= 113 LBF [500 N] MZ= 188 LB FT [254 N.m]

FORCE AND MOMENT VALUES ARE RELATIVE TO CENTER OF INLET AND OUTLET PORT FACES.



DRAWING CERTIFICATION	
CUSTOMER NAME	-----
CUSTOMER PO NUMBER	-----
CUSTOMER PART NUMBER	-----
BOM NUMBER	-----
PUMP TYPE	-----
SHAFT ROTATION	-----
OUTLET ADAPTER	-----
OTHER INFORMATION	
CERTIFIED BY	-----
CERTIFIED DATE	-----
IMO ORDER NUMBER	-----
DATA REVISION NUMBER	-----

NOTES:  
 1. UNLESS OTHERWISE SPECIFIED, ALL DIMENSIONS ARE IN INCHES. DIMENSIONS IN [ ] ARE MILLIMETERS.  
 2. TO MAXIMIZE SEAL LIFE, SEAL VENT MUST BE ORIENTED UPWARD (12 O'CLOCK) WHEN PUMP IS INSTALLED HORIZONTALLY. THIS IS NORMAL VENT ORIENTATION WHEN PUMP FEET ARE ORIENTED DOWNWARD. SEAL VENT ORIENTATION IS NOT CRITICAL WHEN PUMP IS INSTALLED WITH SHAFT VERTICALLY UPWARD.  
 3. PORT, FOOT, AND SEAL VENT ORIENTATIONS ARE SUPPLIED AS SHOWN ON DRAWING UNLESS OTHERWISE SPECIFIED.



DRAWN	WLW	10-24-95	CIRCOR		IMO®		
CHECKED	WLW	10-24-95	TITLE OUTLINE STANDARD				
APPD	MJC	10-25-95					
PROCESS	METHODS		FIRST ORDER	SIZE	CAGE CODE	DWG NO	
UNLESS OTHERWISE SPECIFIED ANSI Y14.5M-1994			800261	D	59180	SDD17752	
COMMENTS: SUCTION STRAINER AND DISCHARGE RELIEF VALVE MUST BE PROVIDED. ALIGNMENT: UNITS ARE ACCURATELY ALIGNED AT THE FACTORY. ALIGNMENT SHOULD BE CHECKED BEFORE STARTING TO ENSURE THAT IT IS STILL WITHIN .005 (0.13) MM. PRE-STARTING: FLUSH SUCTION PIPING BEFORE CONNECTING PUMP. PRIME AND VENT PUMP. READ INSTRUCTION MANUAL FOR DETAILS BEFORE STARTING. USED ON			3204/159	SCALE	1/4	WEIGHT 70 LBS [31.7 kg]	SHEET   OF