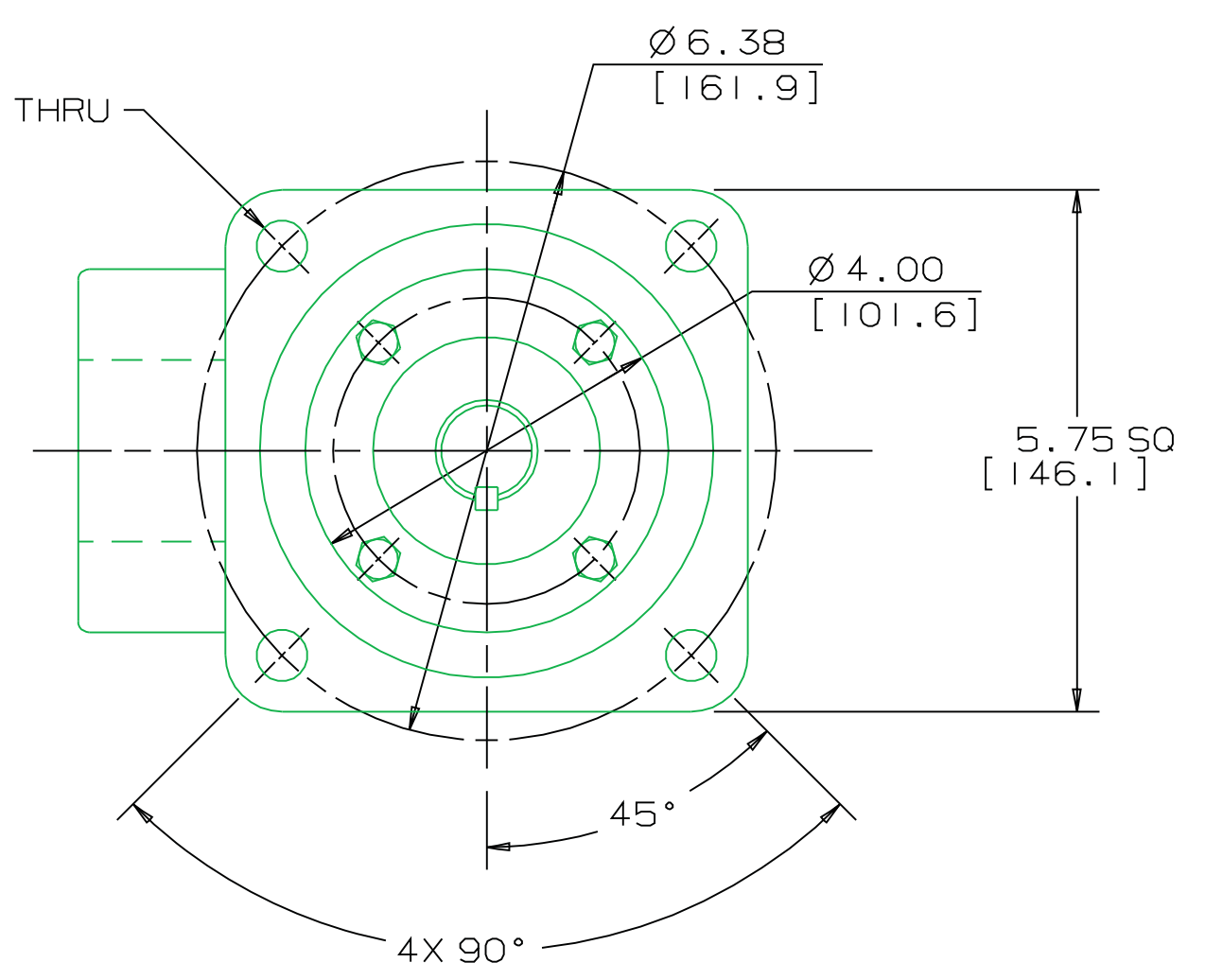
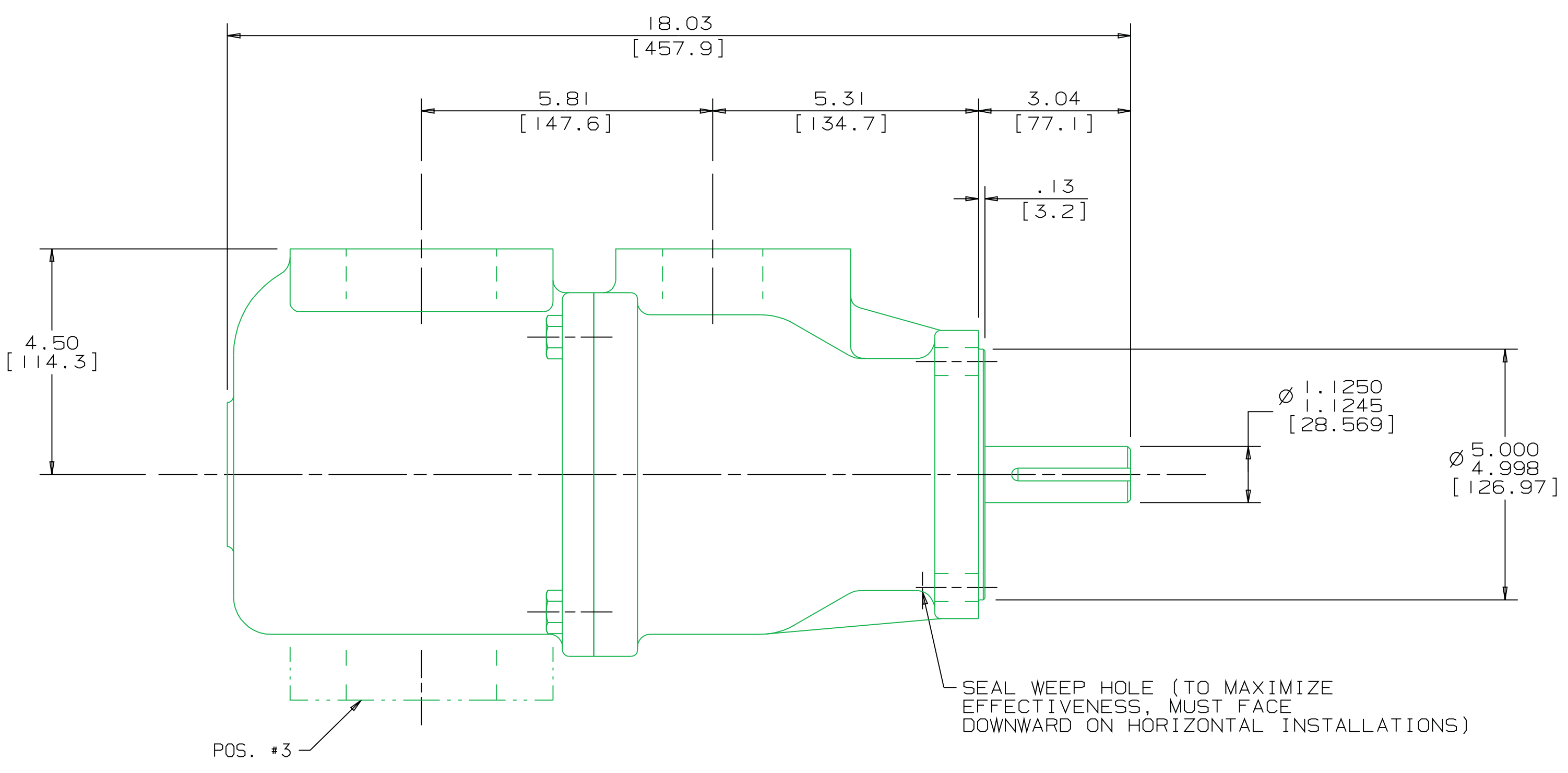
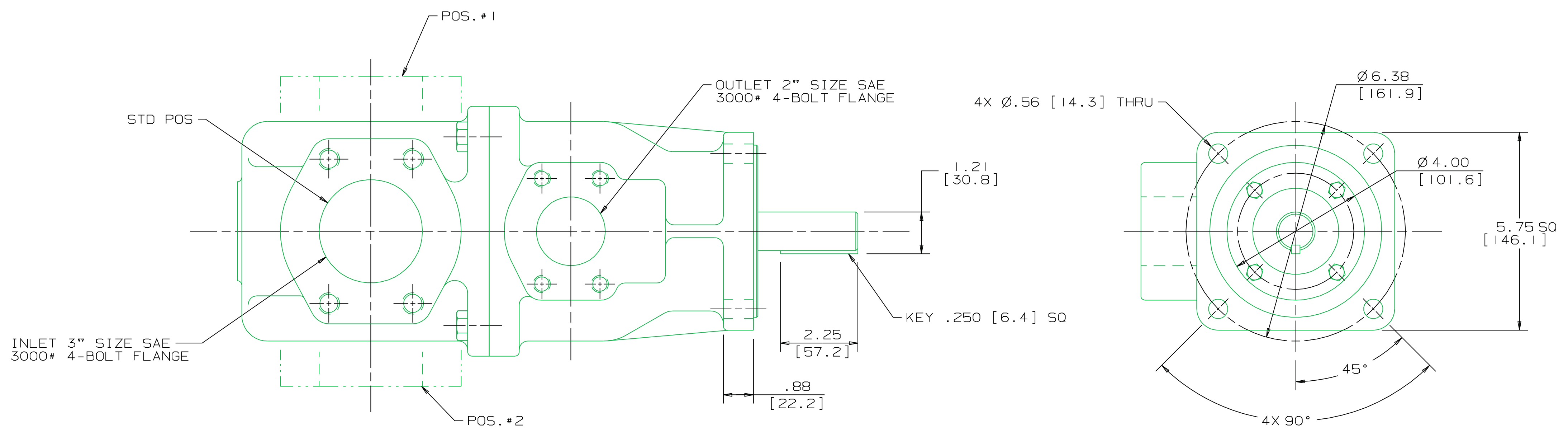
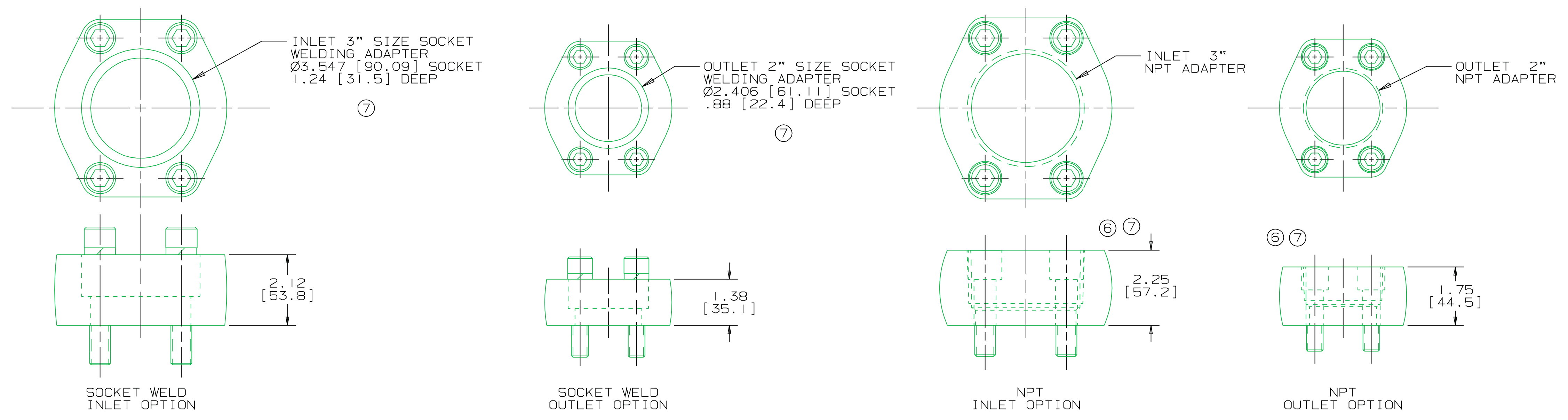


REVISION HISTORY						
CHG NO	ZONE	REV	DESCRIPTION	DATE	BY	APPROVED
01-0270	D3, D4	6	ADDED LOCKWASHERS & CAP SCREW HEADS TO ADAPTERS	5-31-01	KV	KV
01-0287	ALL	7	ALL ADAPTERS UPDATED TO REFLECT 9/99 ANCHOR CATALOG	6-12-01	DMM	DMM



DRAWING CERTIFICATION	
CUSTOMER NAME	-----
CUSTOMER PO NUMBER	---
CUSTOMER PART NUMBER	-
BOM NUMBER	-----
PUMP TYPE	-----
SHAFT ROTATION	-----
INLET PORT POSITION	---
INLET PORT OPTION	---
OUTLET PORT OPTION	---
OTHER INFORMATION	
CERTIFIED BY	-----
CERTIFIED DATE	-----
IMO ORDER NUMBER	-----
DATA REVISION NUMBER	-

- NOTES:
- UNLESS OTHERWISE SPECIFIED, ALL DIMENSIONS ARE IN INCHES. DIMENSIONS IN [] ARE MILLIMETERS.
 - PORT POSITIONS ARE RELATIVE TO THE WEEP HOLE FACING DOWNWARD.

DRAWN	WLW	5-6-95		
CHECKED	MJC	5-15-95		
APPROVED	MJC	5-15-95		
COMMENTS: STANDARD ROTATION IS CLOCKWISE WHEN VIEWED FROM COUPLING END OF PUMP. SUCTION STRAINER AND DISCHARGE RELIEF VALVE MUST BE PROVIDED. ALIGNMENT: UNITS ARE ACCURATELY ALIGNED AT THE FACTORY. ALIGNMENT SHOULD BE CHECKED BEFORE STARTING TO ENSURE THAT IT IS STILL WITHIN .005 [0.13] F.W. PRESTARTING: FLUSH SUCTION PIPING BEFORE CONNECTING PUMP. PRIME AND VENT PUMP. DO NOT START PUMP WITH VALVES CLOSED. READ INSTRUCTION MANUAL FOR DETAILS BEFORE STARTING.			TITLE OUTLINE STANDARD _3E_CS-187_/200_	
THIRD ANGLE PROJECTION			F FIRST ORDER 097169	SIZE D
USED ON 3253/270			CAGE CODE 59180	DWG NO SDD18280
SCALE 1/2			WEIGHT 92 LB [41.7 kg]	SHEET 1 OF 1