

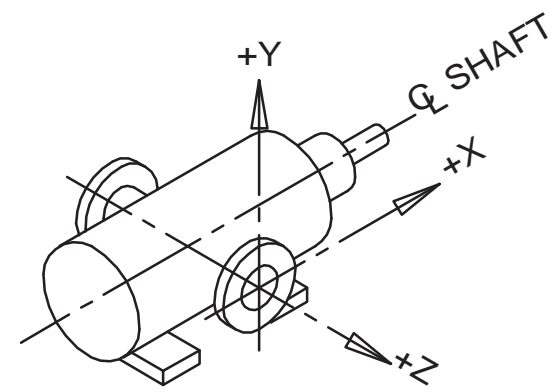
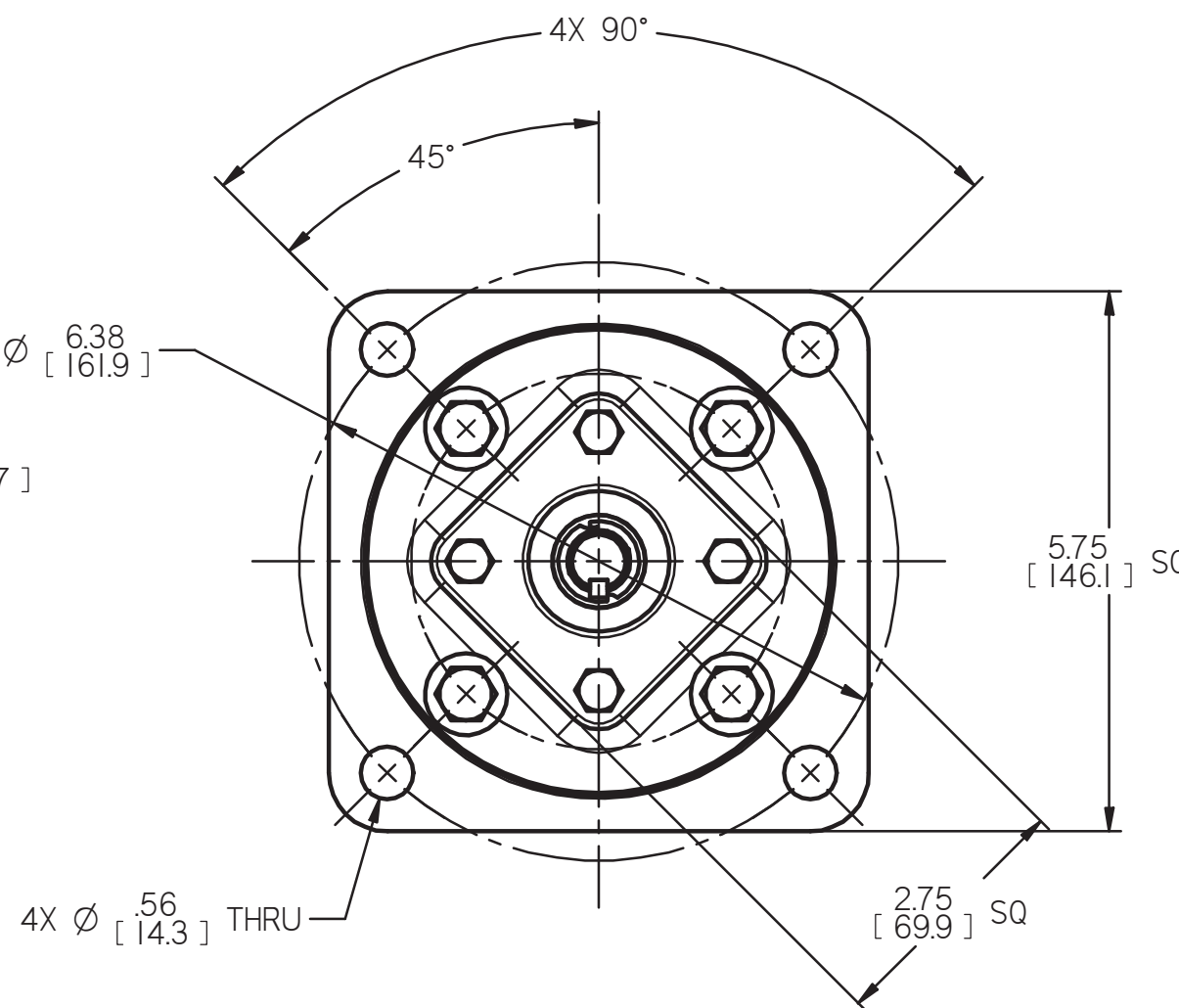
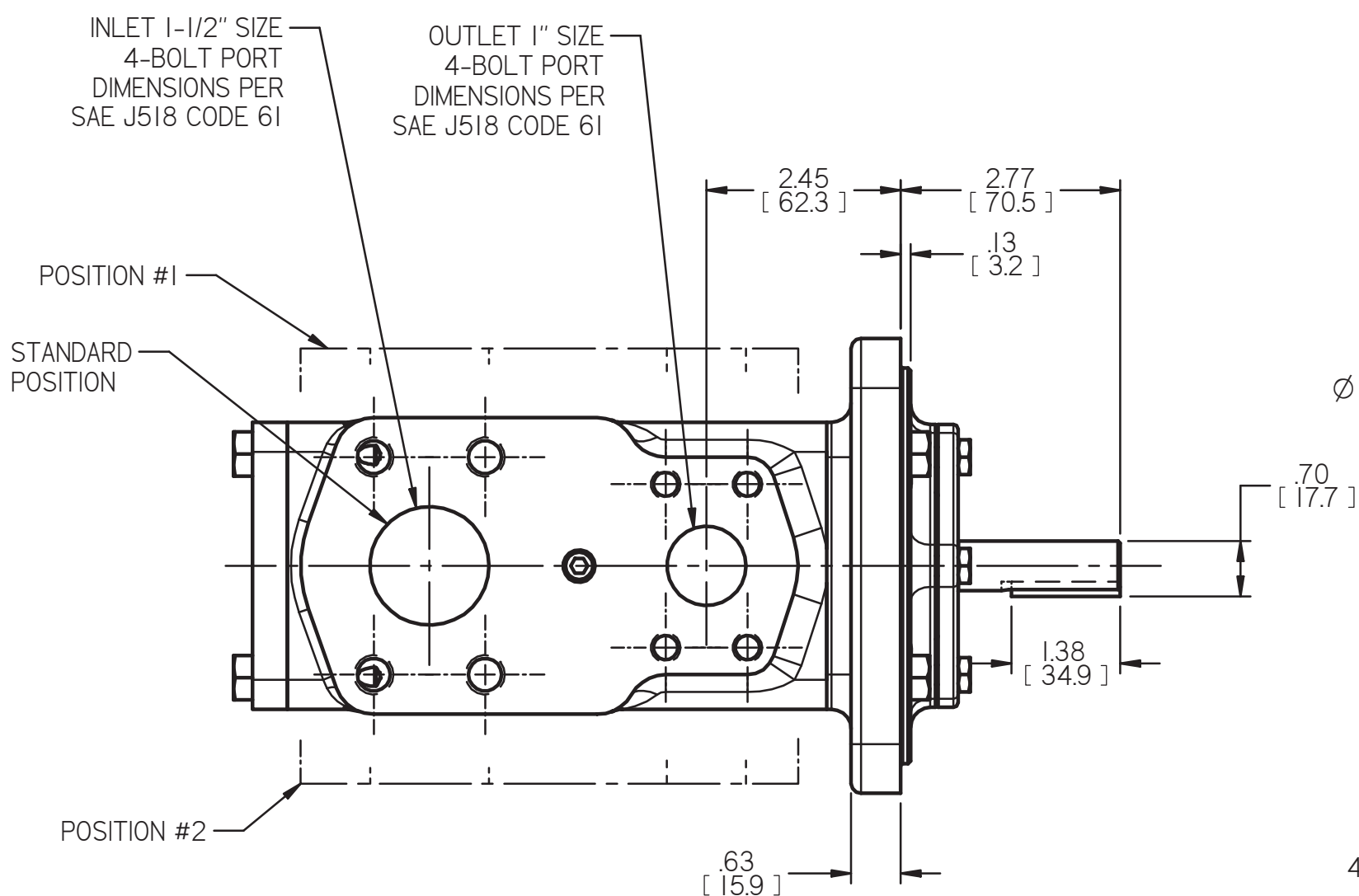
4

3

2

1

REVISION HISTORY						
CHG NO	ZONE	REV	DESCRIPTION	DATE	BY	APPROVED
13-0319	ALL	5	REDRAWN AND UPDATED ON CAD	6-9-14	ERH	CHH

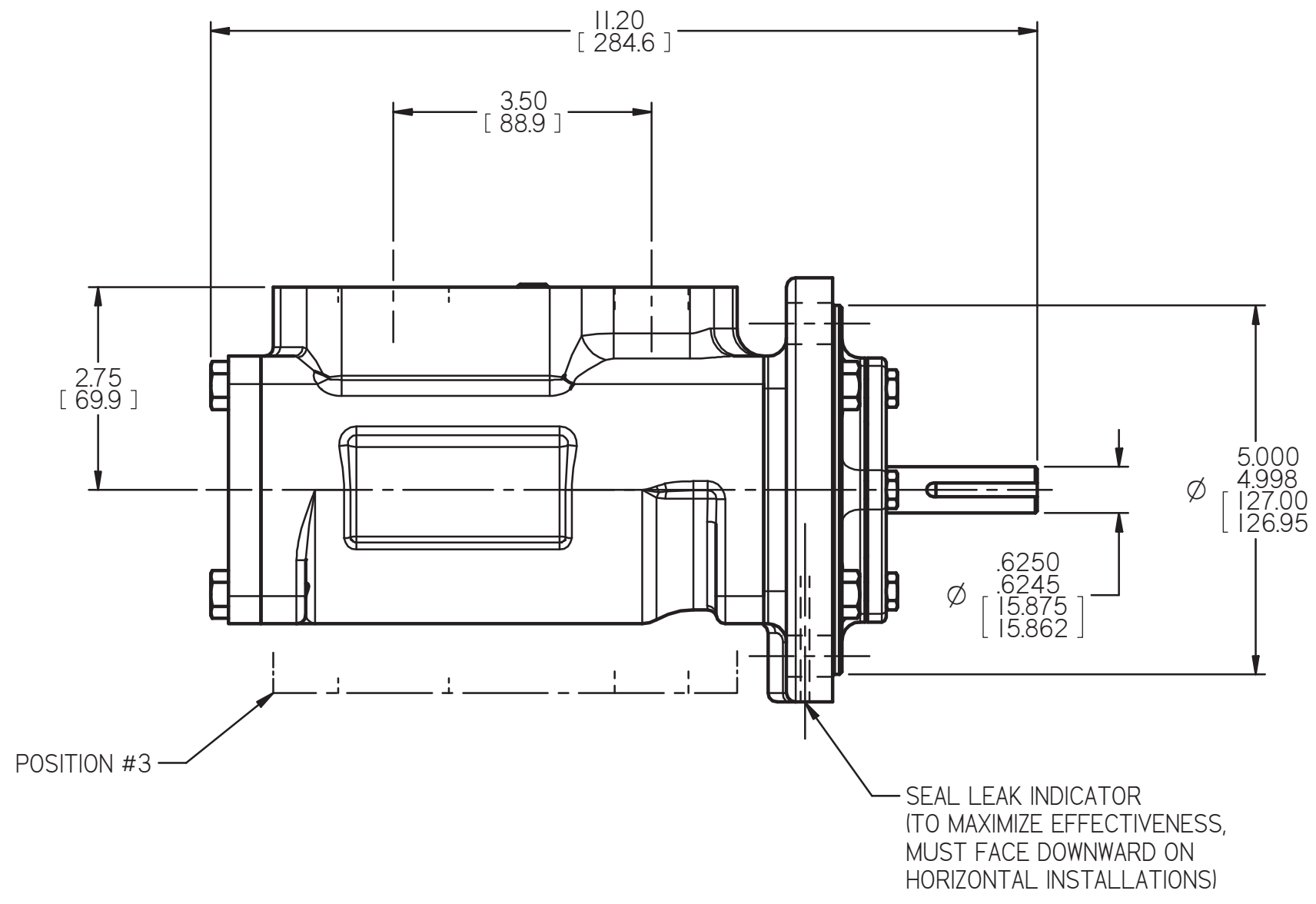


COORDINATE SYSTEM FOR MAXIMUM PUMP FORCES (F) AND MOMENTS (M)

INLET:
 FX= 28.1 LBF [125 N] MX= 46.9 LB FT [63.6 N.m]
 FY= 28.1 LBF [125 N] MY= 46.9 LB FT [63.6 N.m]
 FZ= 28.1 LBF [125 N] MZ= 46.9 LB FT [63.6 N.m]

OUTLET:
 FX= 18.8 LBF [83.4 N] MX= 31.3 LB FT [42.4 N.m]
 FY= 18.8 LBF [83.4 N] MY= 31.3 LB FT [42.4 N.m]
 FZ= 18.8 LBF [83.4 N] MZ= 31.3 LB FT [42.4 N.m]

FORCE AND MOMENT VALUES ARE RELATIVE TO CENTER OF INLET AND OUTLET PORT FACES.



DRAWING CERTIFICATION	
CUSTOMER NAME -----	
CUSTOMER PO NUMBER ---	
CUSTOMER PART NUMBER -	
BOM NUMBER -----	
PUMP TYPE -----	
SHAFT ROTATION -----	
PORT POSITION -----	
INLET PORT OPTION ----	
OUTLET PORT OPTION ---	
OTHER INFORMATION	
CERTIFIED BY -----	
CERTIFIED DATE -----	
IMO ORDER NUMBER -----	
DATA REVISION NUMBER -	



NOTES:
 I. UNLESS OTHERWISE SPECIFIED,
 ALL DIMENSIONS ARE IN INCHES.
 DIMENSIONS IN [] ARE MILLIMETERS.

MATERIAL	DRAWN WLW 2-11-97	
PROCESS	CHECKED WLW 2-12-97	
	APPD MJC 2-12-97	
COMMENTS: SUCTION STRAINER AND DISCHARGE RELIEF VALVE MUST BE PROVIDED. ALIGNMENT: UNITS ARE ACCURATELY ALIGNED AT THE FACTORY. ALIGNMENT SHOULD BE CHECKED BEFORE STARTING TO ENSURE THAT IT IS STILL WITHIN .005 (0.13) MM. PRESTARTING: FLUSH SUCTION PIPING BEFORE CONNECTING PUMP. PRIME AND VENT PUMP. READ INSTRUCTION MANUAL FOR DETAILS BEFORE STARTING.		TITLE OUTLINE STANDARD _3EBCS-118_
THIRD ANGLE PROJECTION	FIRST ORDER 810040	SIZE C CAGE CODE 59180 DWG NO SDD18958
USED ON 3252/350		SCALE 1/2 WEIGHT 31 LBS [14 kg] SHEET 1 OF 1

4

3

2

1

D

D

C

C

B

B

A

A