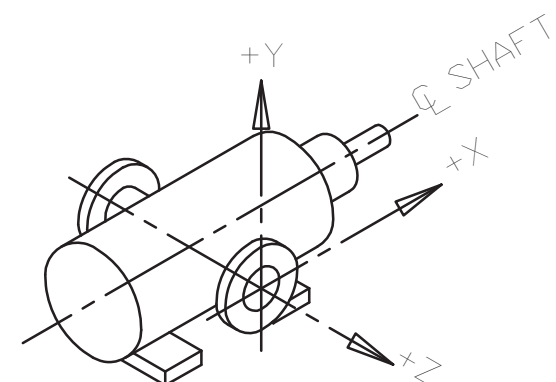


REVISION HISTORY					
CHG NO	ZONE	REV	DESCRIPTION	DATE	BY / APPROVED
16-0302	D5, D6	02	150# RF OUTLET OPTION HEIGHT 5.00 WAS 5.50. 300# RF OUTLET OPTION HEIGHT 5.50 WAS 5.00.	6-22-16	DMM / DMM



INLET:  
FX=188 LBF(836 N)    MX= 313 LB FT(424 N.m)  
FY=188 LBF(836 N)    MY= 313 LB FT(424 N.m)  
FZ=188 LBF(836 N)    MZ= 313 LB FT(424 N.m)

OUTLET:  
FX=113 LBF(500 N)    MX= 188 LB FT(254 N.m)  
FY=113 LBF(500 N)    MY= 188 LB FT(254 N.m)  
FZ=113 LBF(500 N)    MZ= 188 LB FT(254 N.m)

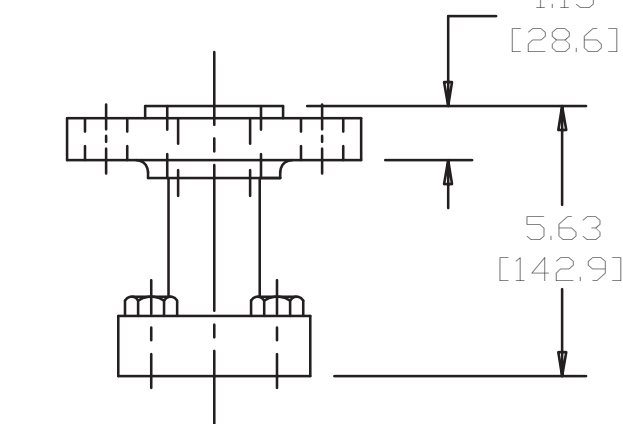
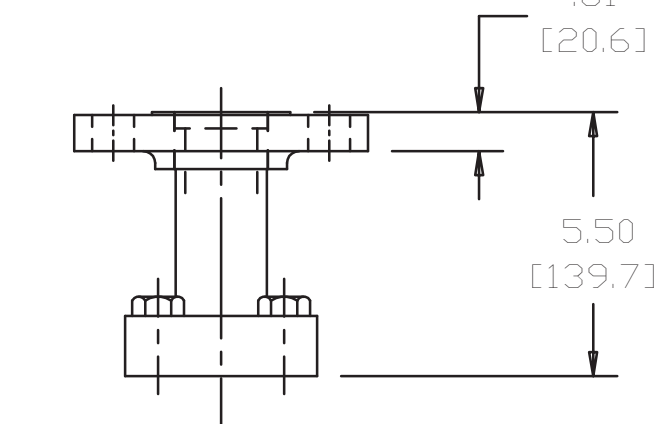
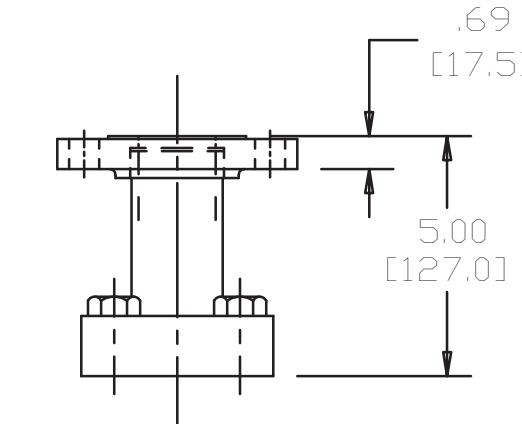
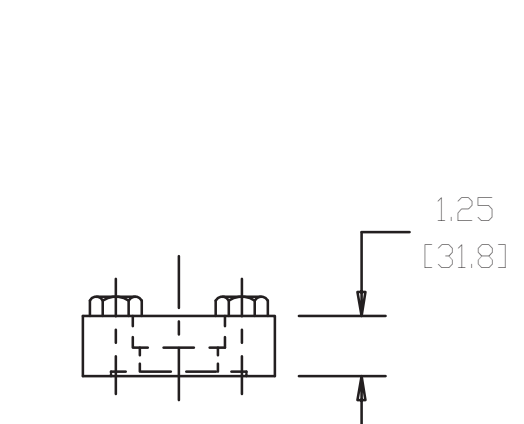
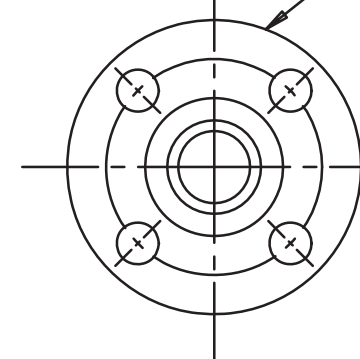
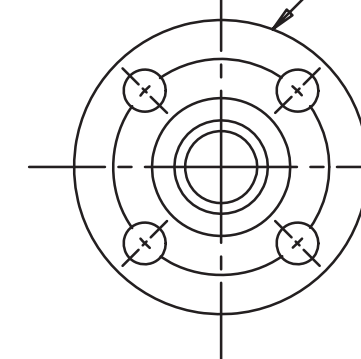
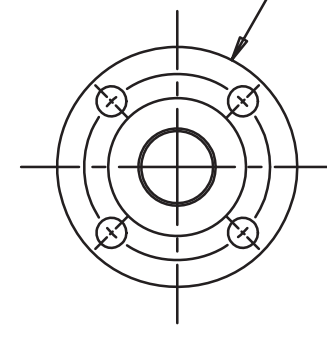
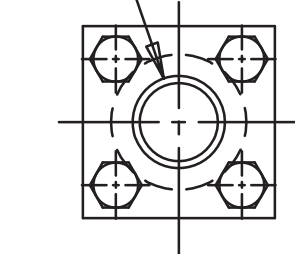
FORCE AND MOMENT VALUES ARE RELATIVE TO CENTER OF INLET AND OUTLET PORT FACES.

OUTLET 1-1/2" SIZE SOCKET WELDING ADAPTER  
Ø1.920 (48.77) SOCKET  
.66 (16.8) DEEP

OUTLET 1-1/2" SIZE 150# ANSI B16.5 RAISED FACE FLANGE HOLES TO STRADDLE CENTERNES

OUTLET 1-1/2" SIZE 300# ANSI B16.5 RAISED FACE FLANGE HOLES TO STRADDLE CENTERNES

OUTLET 1-1/2" SIZE 600# ANSI B16.5 RAISED FACE FLANGE HOLES TO STRADDLE CENTERNES



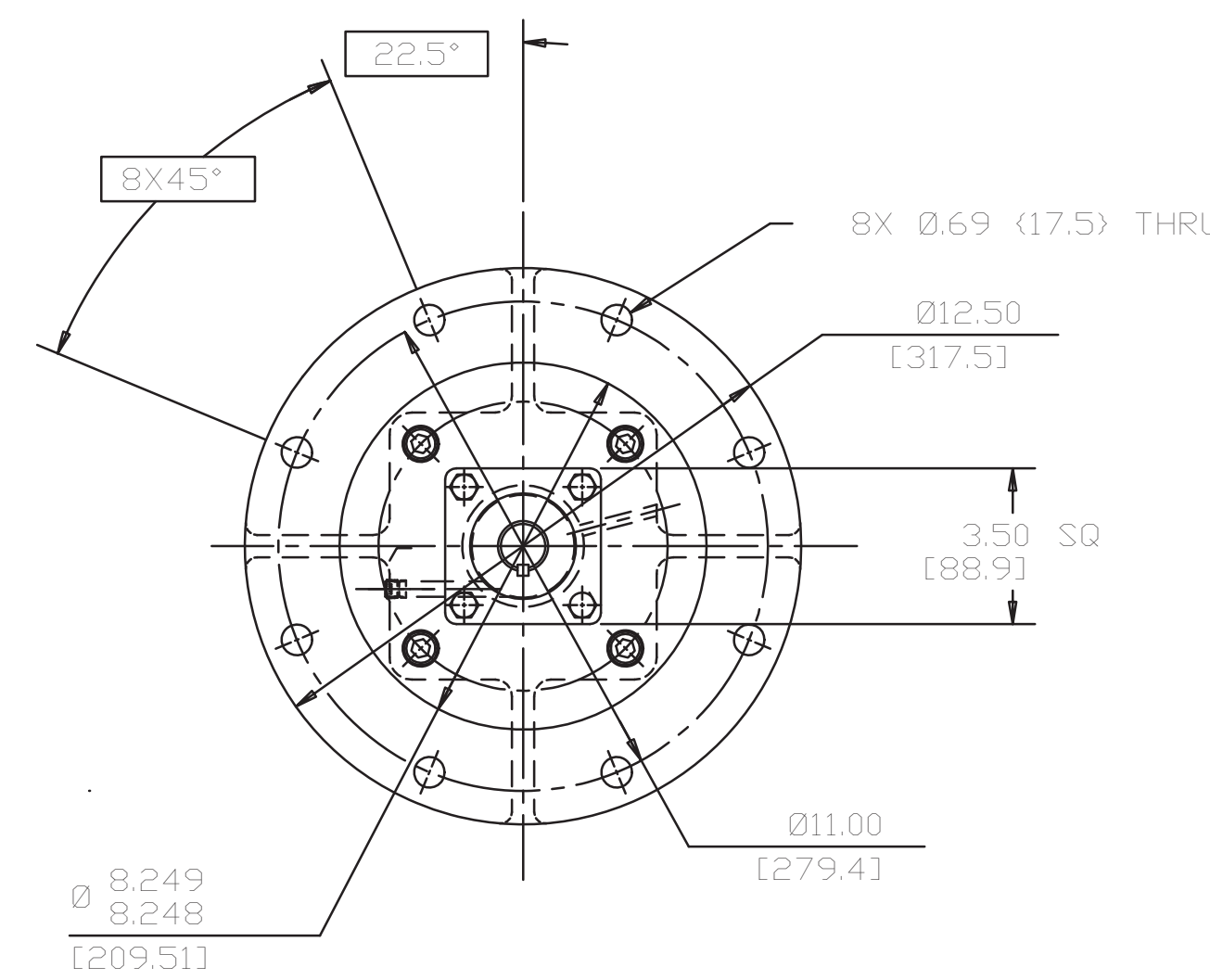
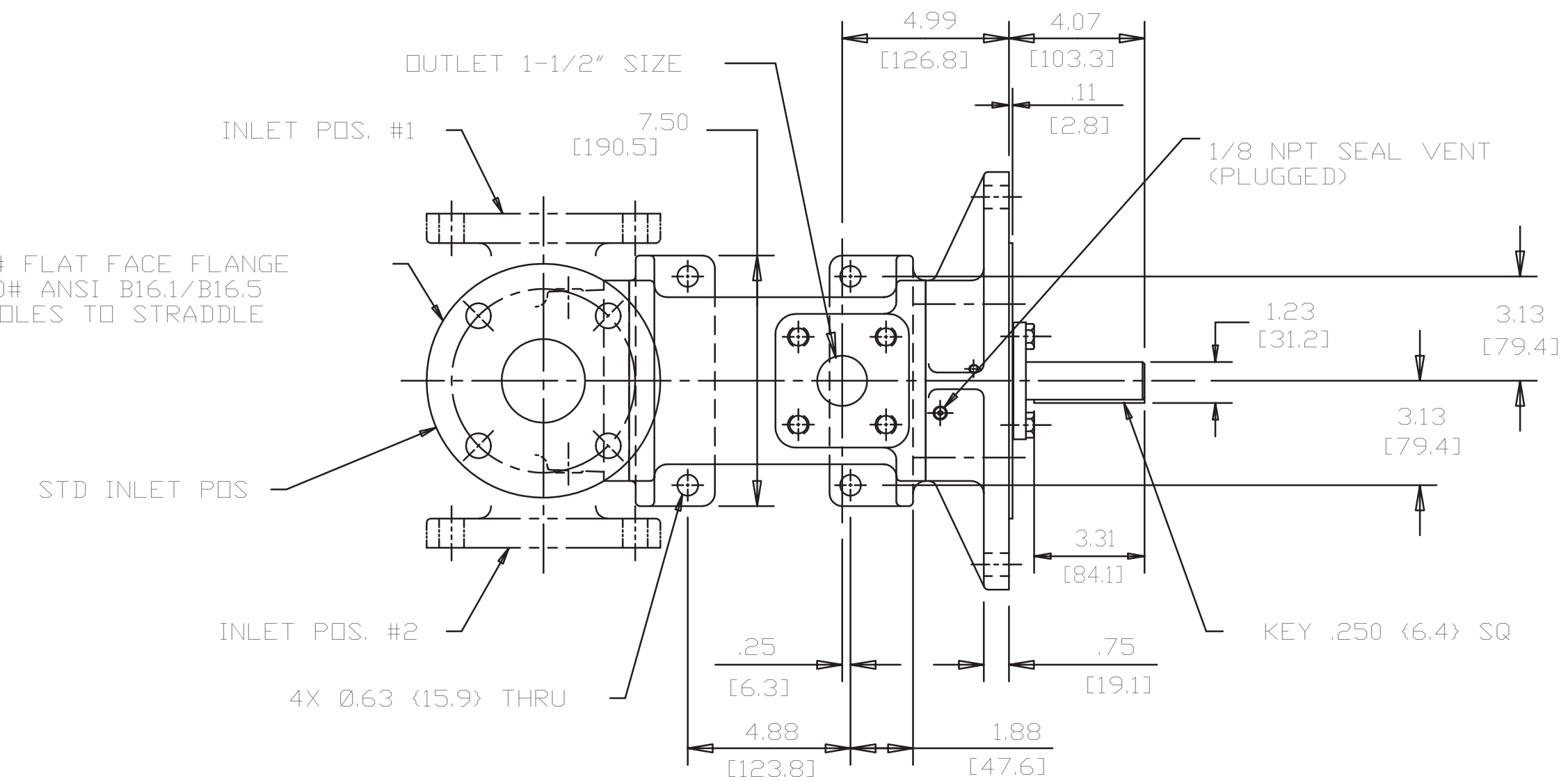
SOCKET WELDING OUTLET OPTION

150# RF OUTLET OPTION

300# RF OUTLET OPTION

600# RF OUTLET OPTION

INLET 2-1/2" SIZE 150# FLAT FACE FLANGE WILL MATE TO 125#/150# ANSI B16.1/B16.5 RAISED FACE FLANGE HOLES TO STRADDLE CENTERNES



NOTES:

- UNLESS OTHERWISE SPECIFIED, ALL DIMENSIONS ARE IN INCHES. DIMENSIONS IN [ ] ARE MILLIMETERS.
- TO MAXIMIZE SEAL LIFE, SEAL VENT MUST BE ORIENTED UPWARD (12 O'CLOCK) WHEN PUMP IS INSTALLED HORIZONTALLY. THIS IS NORMAL VENT ORIENTATION WHEN PUMP FEET ARE ORIENTED DOWNWARD. SEAL VENT ORIENTATION IS NOT CRITICAL WHEN PUMP IS INSTALLED WITH SHAFT VERTICALLY UPWARD.
- PORT, FOOT, AND SEAL VENT ORIENTATIONS ARE SUPPLIED AS SHOWN ON DRAWING UNLESS OTHERWISE SPECIFIED.
- ALTERNATE INLET PORT POSITIONS ARE PROVIDED IF SPECIFIED ON ORDER. AVAILABLE POSITIONS ARE: STANDARD, POSITION #1, POSITION #2 OR POSITION #3. ALL INLET PORT POSITIONS ARE RELATIVE TO OUTLET PORT.
- ESTIMATED WEIGHT (WITHOUT PORT ADAPTERS) 130 LBS (59.0 kg).



DRAWING CERTIFICATION	
CUSTOMER NAME	-----
CUSTOMER PO NUMBER	-----
CUSTOMER PART NUMBER	-----
BOM NUMBER	-----
PUMP TYPE	-----
SHAFT ROTATION	-----
INLET PORT POSITION	-----
OUTLET PORT ADAPTER OPTION	-----
OTHER INFORMATION	
CERTIFIED BY	-----
CERTIFIED DATE	-----
IMO ORDER NUMBER	-----
DATA REVISION NUMBER	-----

DRAWN		CHECKED		APPD		METHODS	
WLW	6-11-97	MJC	6-12-97	MJC	6-12-97		

MATERIAL		PROCESS		UNLESS OTHERWISE SPECIFIED ASME Y14.5M-1994.		COMMENTS: SUCTION STRAINER AND DISCHARGE RELIEF VALVE MUST BE PROVIDED. ALIGNMENT: UNITS ARE ACCURATELY ALIGNED AT THE FACTORY. ALIGNMENT SHOULD BE CHECKED BEFORE STARTING TO ENSURE THAT IT IS STILL WITHIN .005 (0.127) MM. PRESTARTING: FLUSH SUCTION PIPING BEFORE CONNECTING PUMP. PRIME AND VENT PUMP. READ INSTRUCTION MANUAL FOR DETAILS BEFORE STARTING.	
812596	SIZE D	59180	CAGE CODE	SDD19056	DWG NO	3210/153	SCALE 1/4
SEE NOTE 5	WEIGHT	SEE NOTE 5	SHEET	OF			



TITLE OUTLINE STANDARD \_\_3D\_CS\_-187\_

SDD19056

SCALE 1/4 WEIGHT SEE NOTE 5 SHEET OF