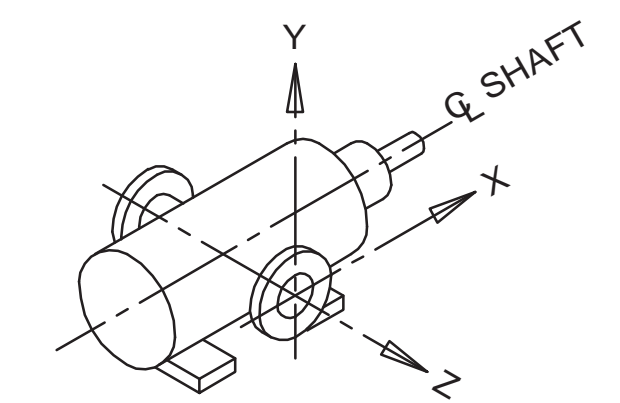
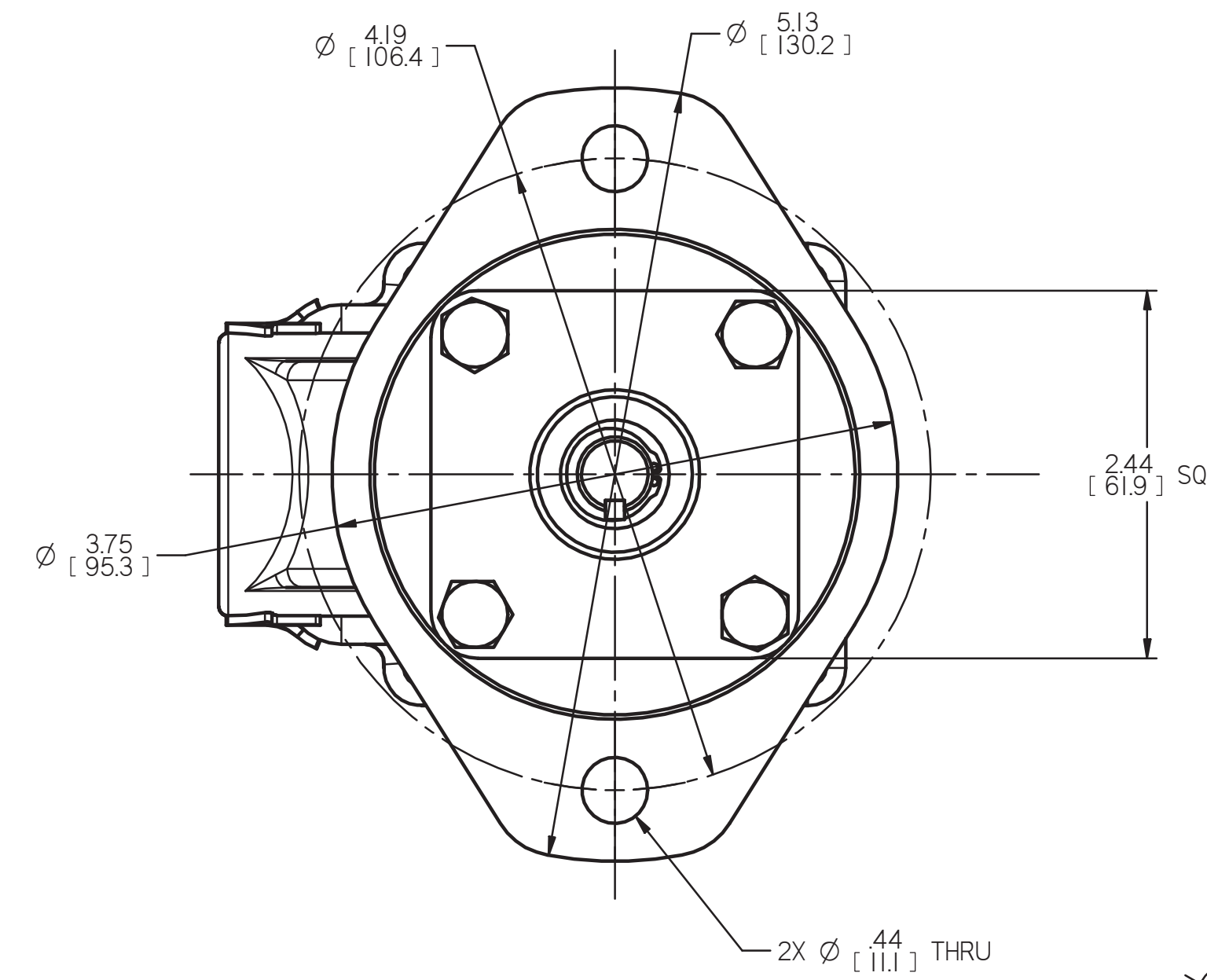
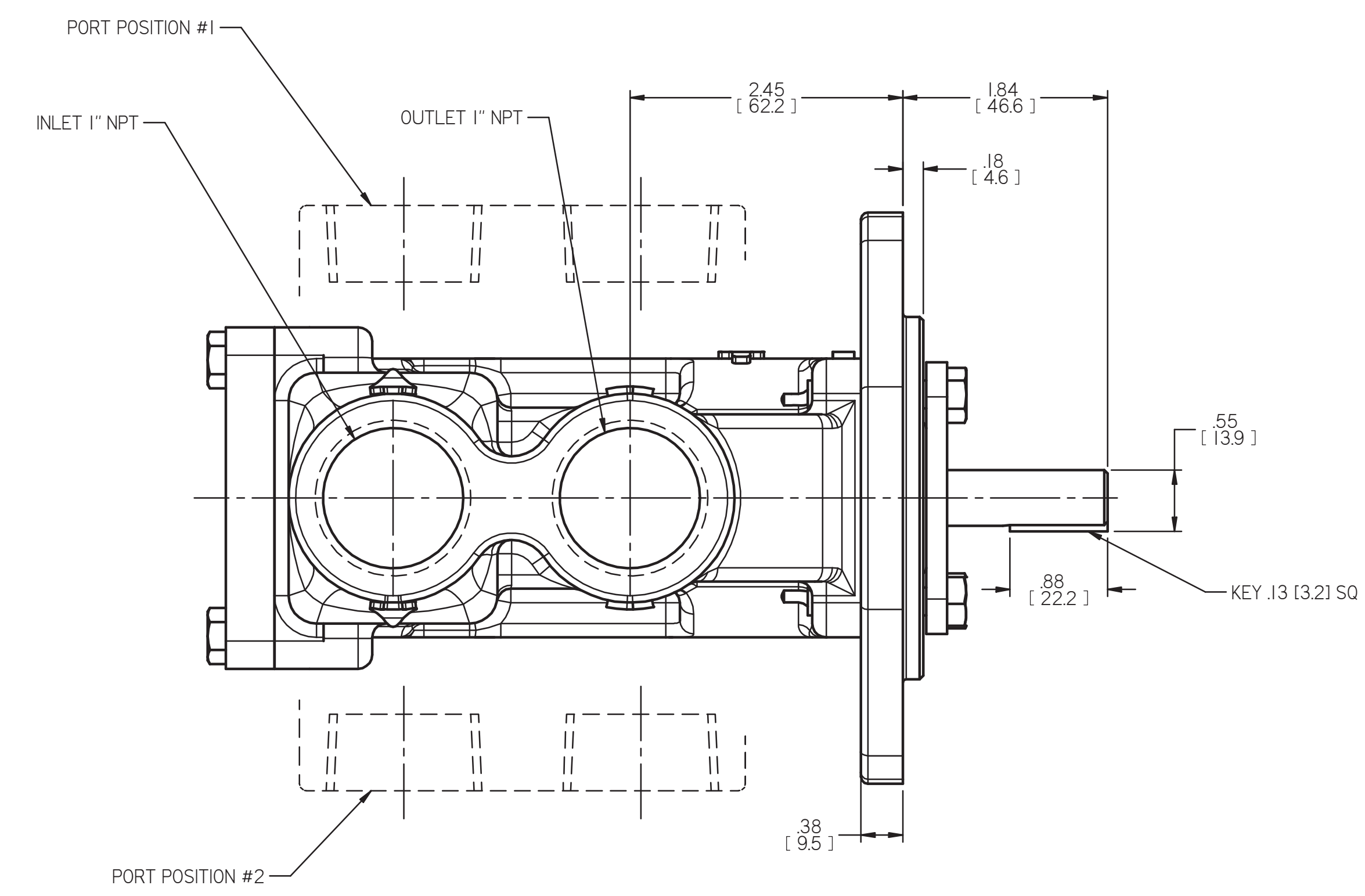


REVISION HISTORY						
CHG NO	ZONE	REV	DESCRIPTION	DATE	BY	APPROVED
13-0291	ALL	3	REDRAWN AND UPDATED ON CAD	8-22-14	ERH	CHH

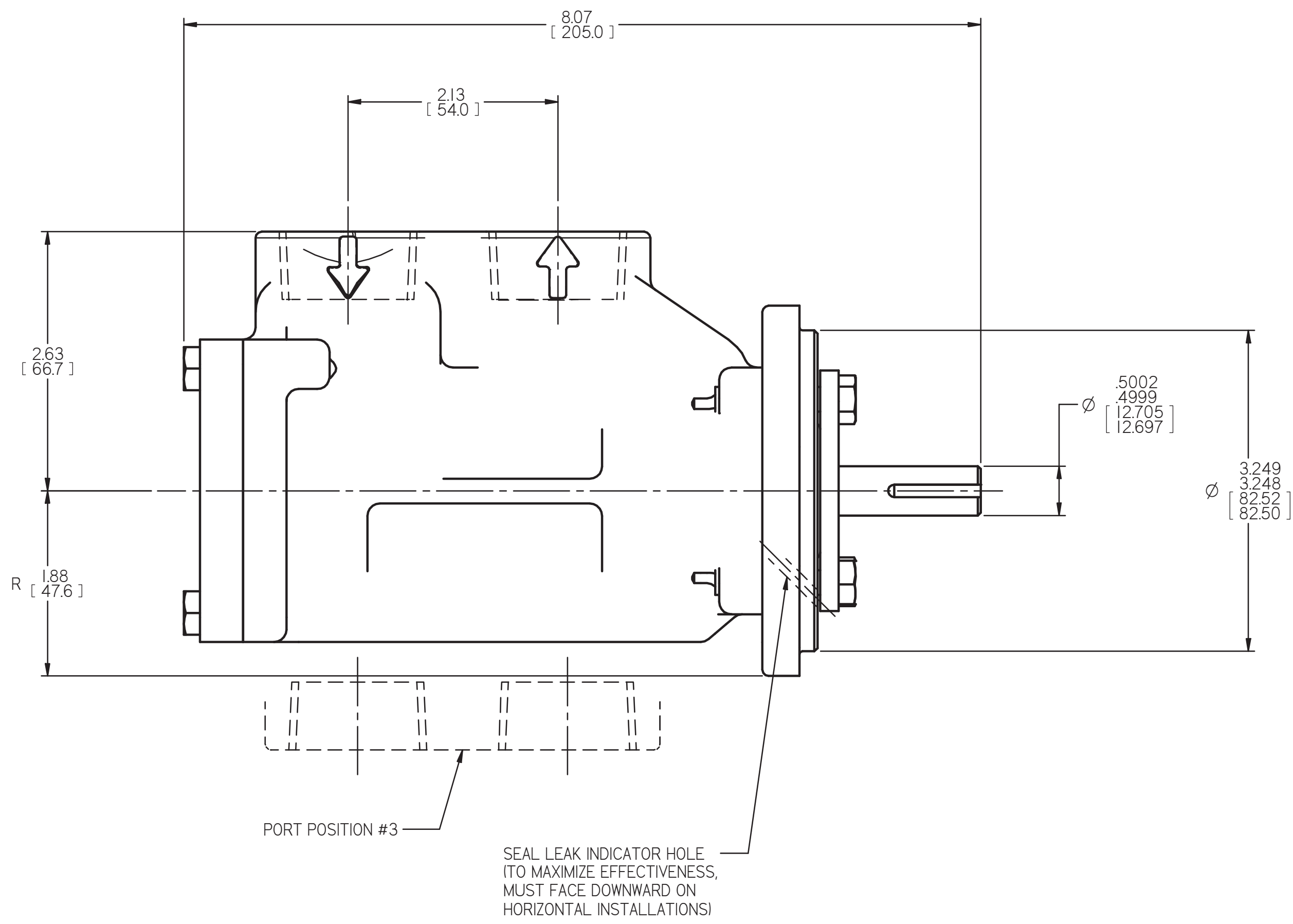


COORDINATE SYSTEM FOR MAXIMUM PUMP FORCES (F) AND MOMENTS (M)

INLET:
 FX= 18.8 LBF [83.4 N] MX= 31.3 LB FT [42.4 N.m]
 FY= 18.8 LBF [83.4 N] MY= 31.3 LB FT [42.4 N.m]
 FZ= 18.8 LBF [83.4 N] MZ= 31.3 LB FT [42.4 N.m]

OUTLET:
 FX= 18.8 LBF [83.4 N] MX= 31.3 LB FT [42.4 N.m]
 FY= 18.8 LBF [83.4 N] MY= 31.3 LB FT [42.4 N.m]
 FZ= 18.8 LBF [83.4 N] MZ= 31.3 LB FT [42.4 N.m]

FORCE AND MOMENT VALUES ARE RELATIVE TO CENTER OF INLET AND OUTLET PORT FACES.



- NOTES:
- UNLESS OTHERWISE SPECIFIED, ALL DIMENSIONS ARE IN INCHES. DIMENSIONS IN [] ARE MILLIMETERS.
 - PORT POSITIONS ARE RELATIVE TO SEAL LEAK INDICATOR FACING DOWNWARD.

DRAWING CERTIFICATION	
CUSTOMER NAME	
CUSTOMER PO NUMBER	
CUSTOMER PART NUMBER	
BOM NUMBER	
PUMP TYPE	
SHAFT ROTATION	
INLET PORT ORIENTATION	
OUTLET ADAPTER OPTION	
CERTIFIED BY	
IMO ORDER NUMBER	
CERTIFICATION DATE	
CERTIFICATION REV. NO.	
NOTES:	

DRAWN	DMM	6-26-97		TITLE OUTLINE STANDARD _3E_(SI)-87_195_
CHECKED	MJC	6-30-97		
APPD	MJC	6-30-97		
MATERIAL			SIZE D	CAGE CODE 59180
PROCESS				
UNLESS OTHERWISE SPECIFIED ASME Y14.5M-1994. COMMENTS: SUCTION STRAINER AND DISCHARGE RELIEF VALVE MUST BE PROVIDED. ALIGNMENT: UNITS ARE ACCURATELY ALIGNED AT THE FACTORY. ALIGNMENT SHOULD BE CHECKED BEFORE STARTING TO ENSURE THAT IT IS STILL WITHIN .005 (0.13) MM. PRE-STARTING: FLUSH SUCTION PIPING BEFORE CONNECTING PUMP. PRIME AND VENT PUMP. READ INSTRUCTION MANUAL FOR DETAILS BEFORE STARTING.			FIRST ORDER 812923	DWG NO SDD19077
USED ON 3240/011			SCALE 1/1	WEIGHT 9 LBS [4.1KG]