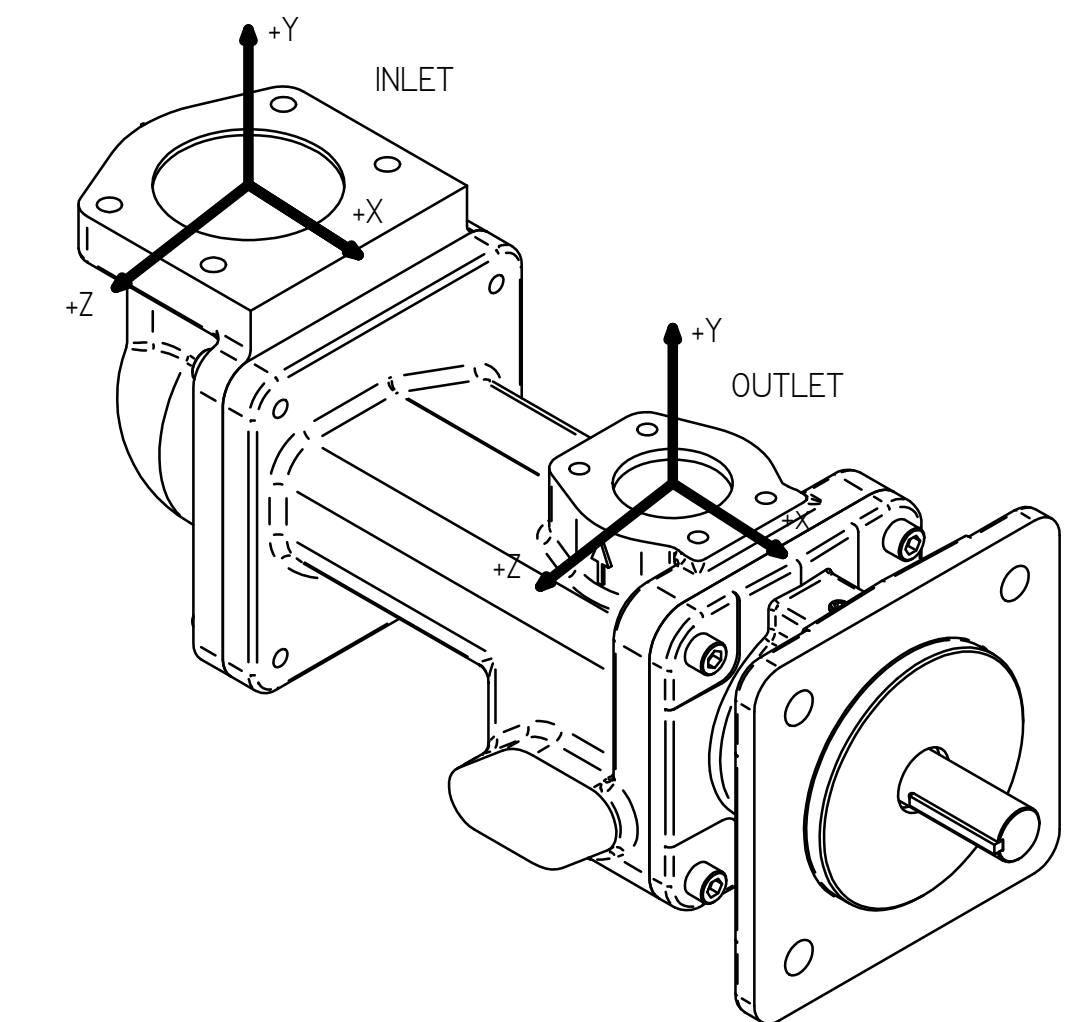
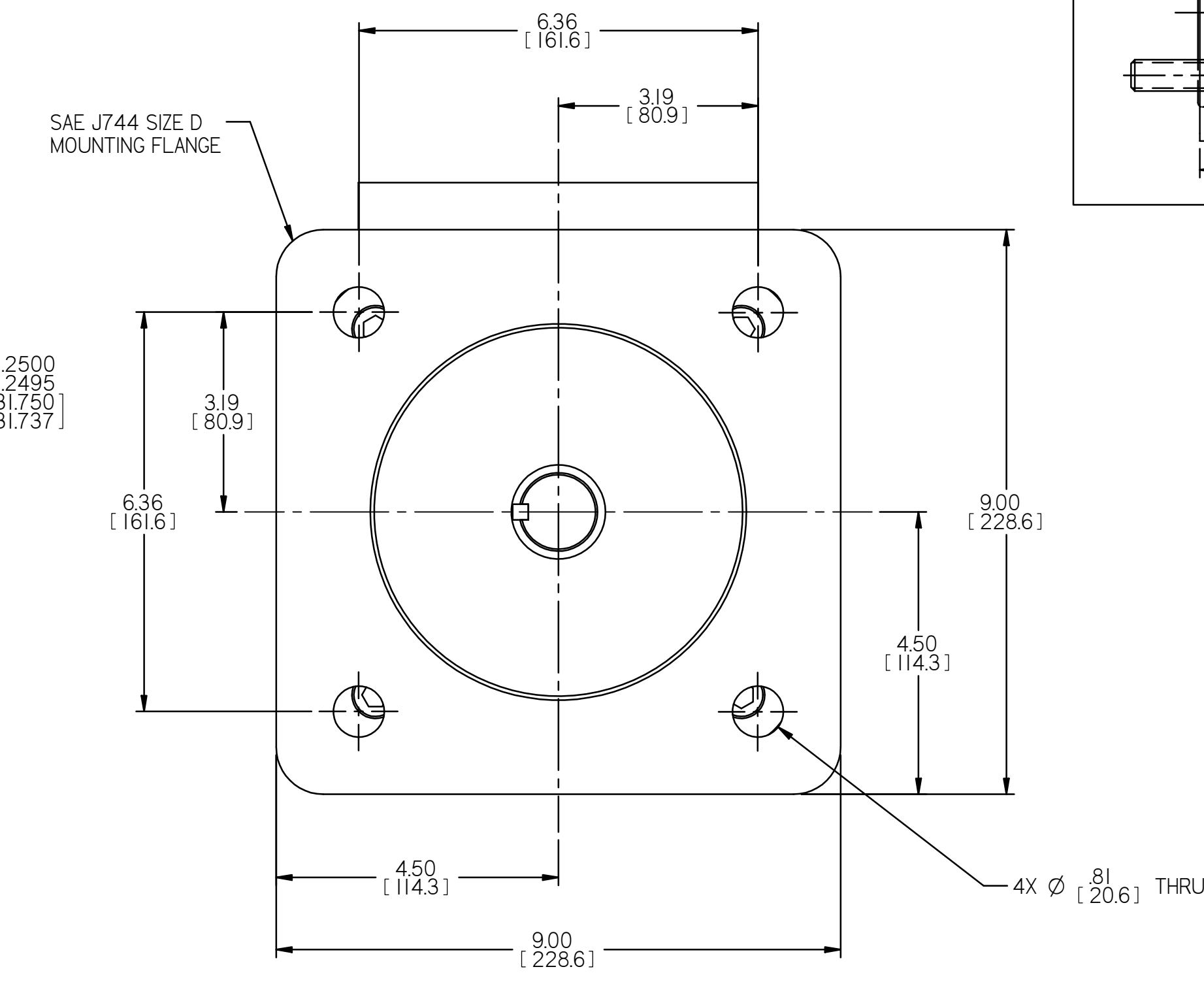
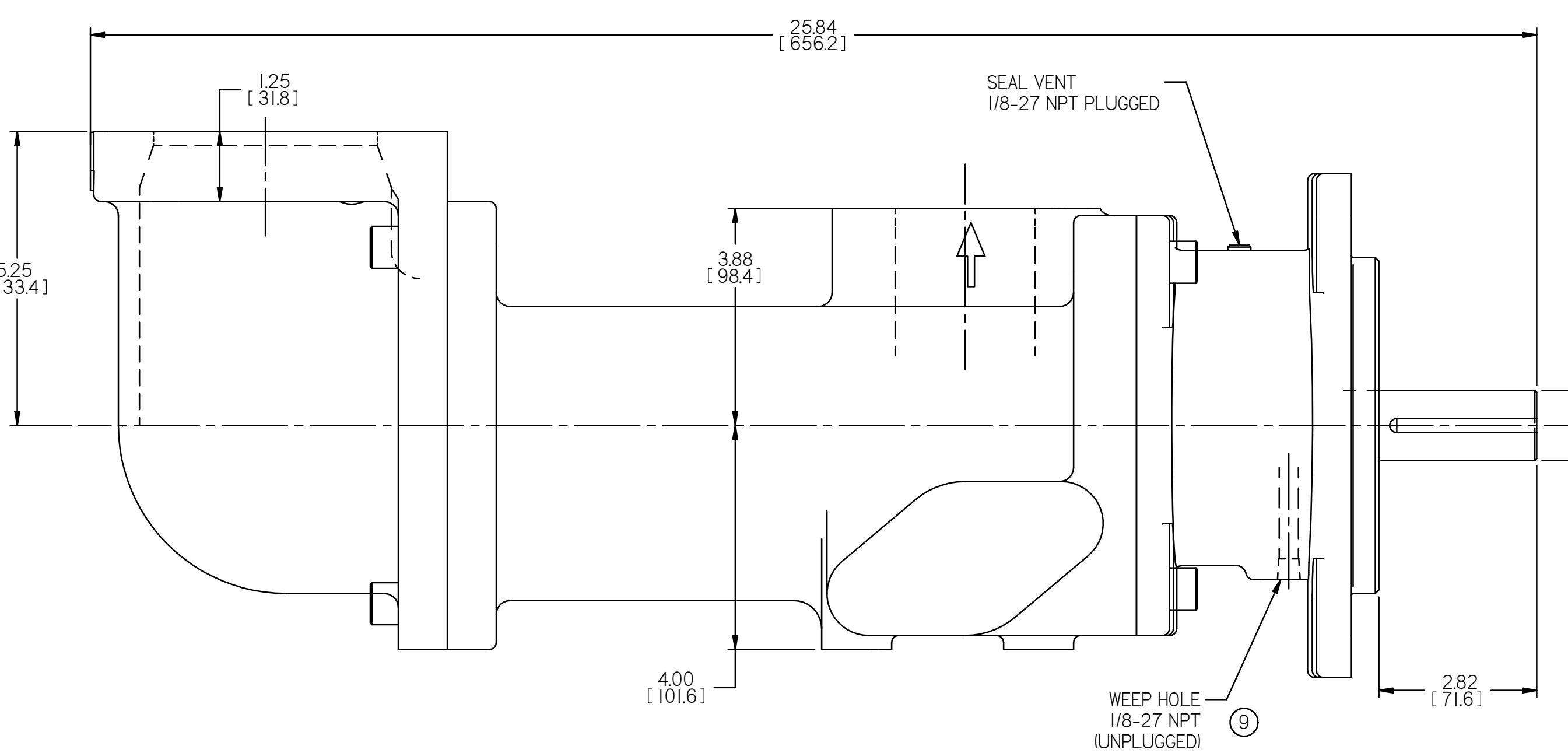
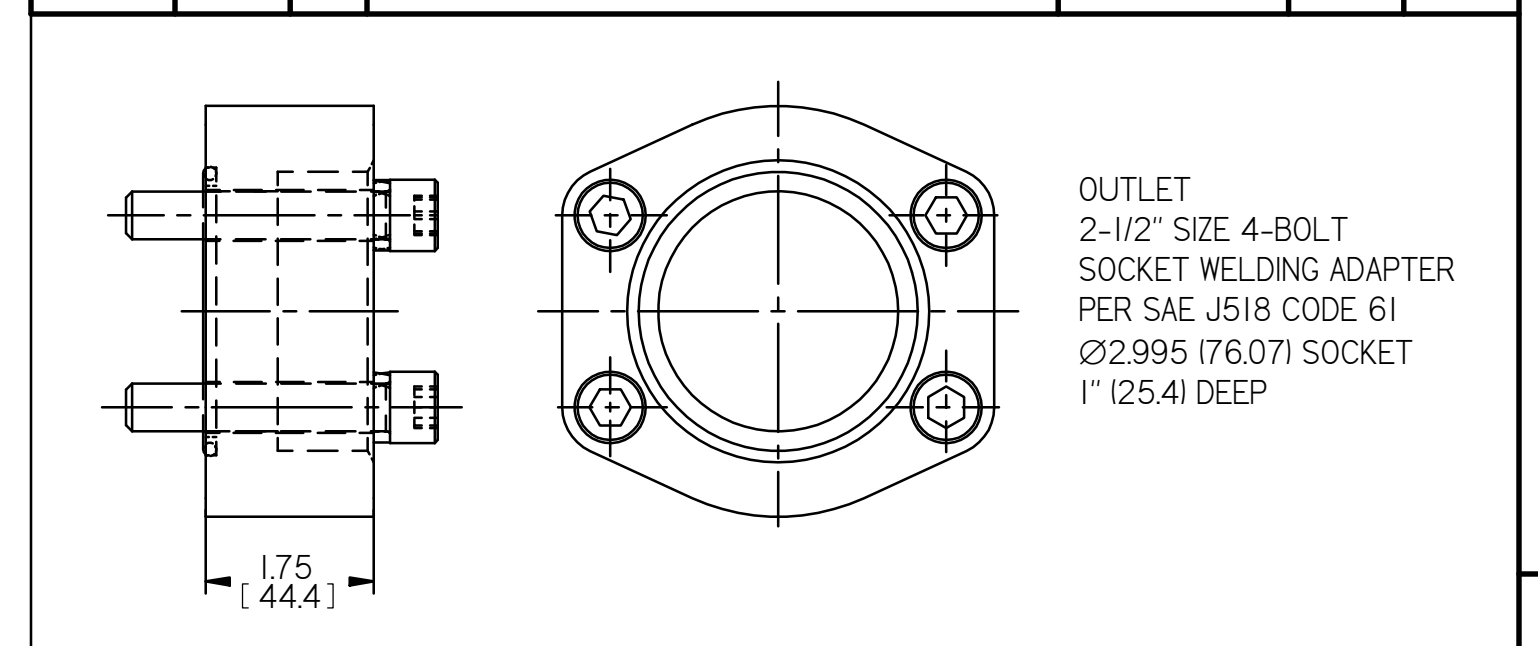
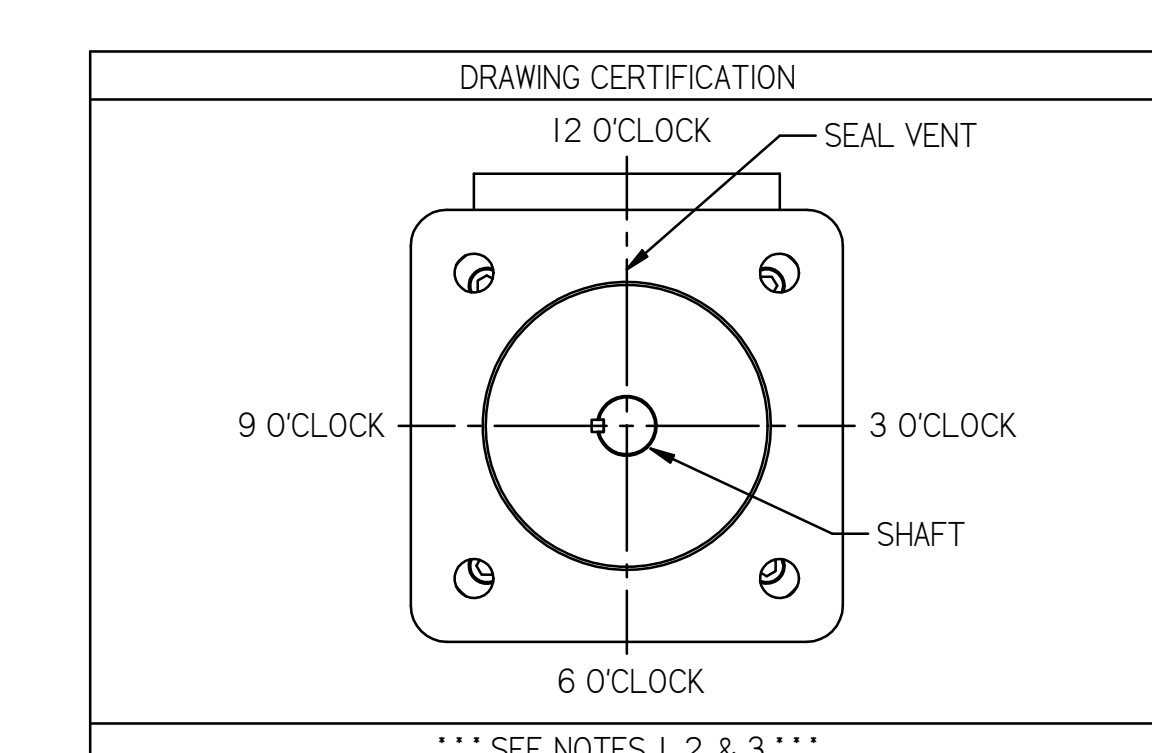
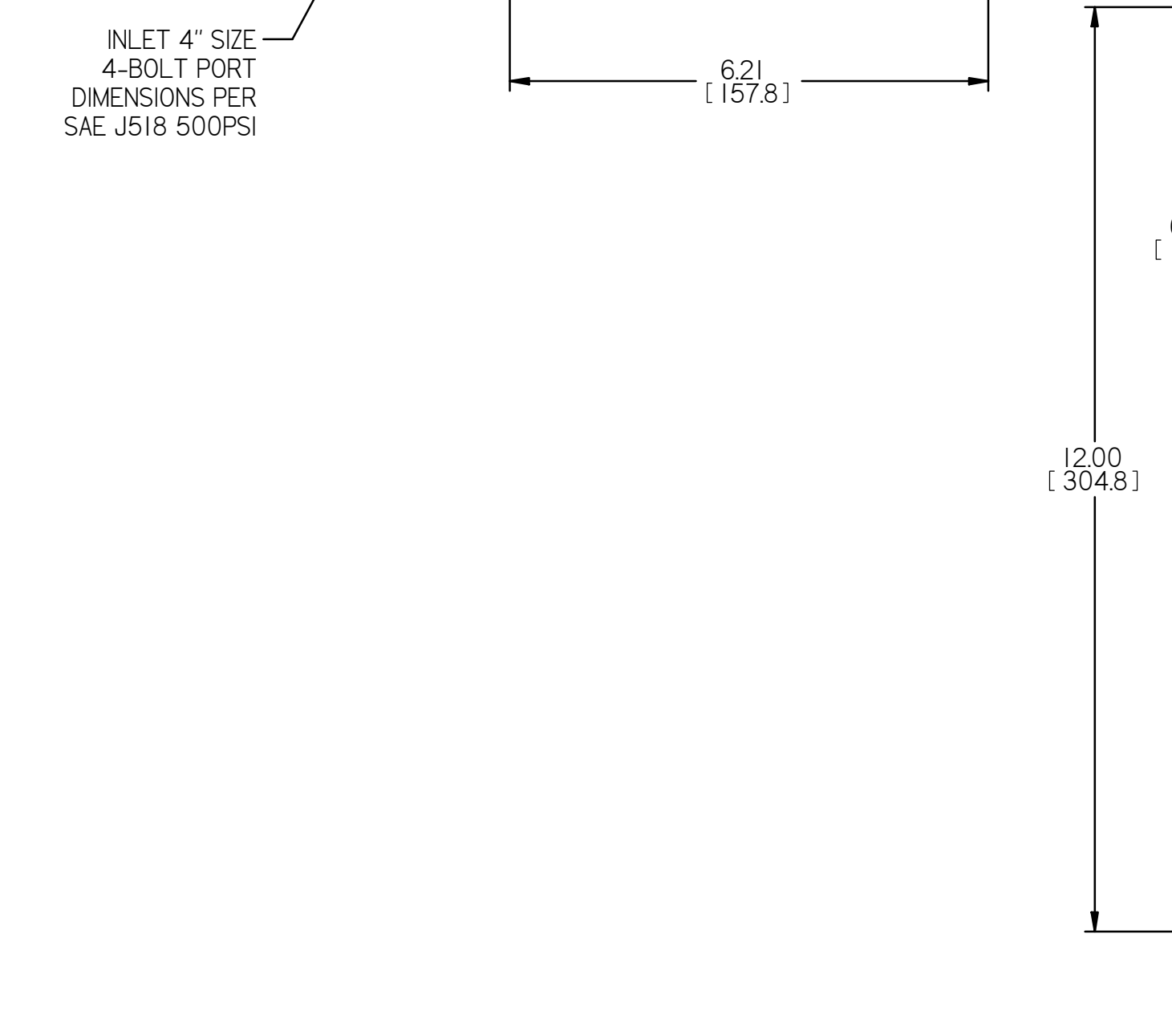
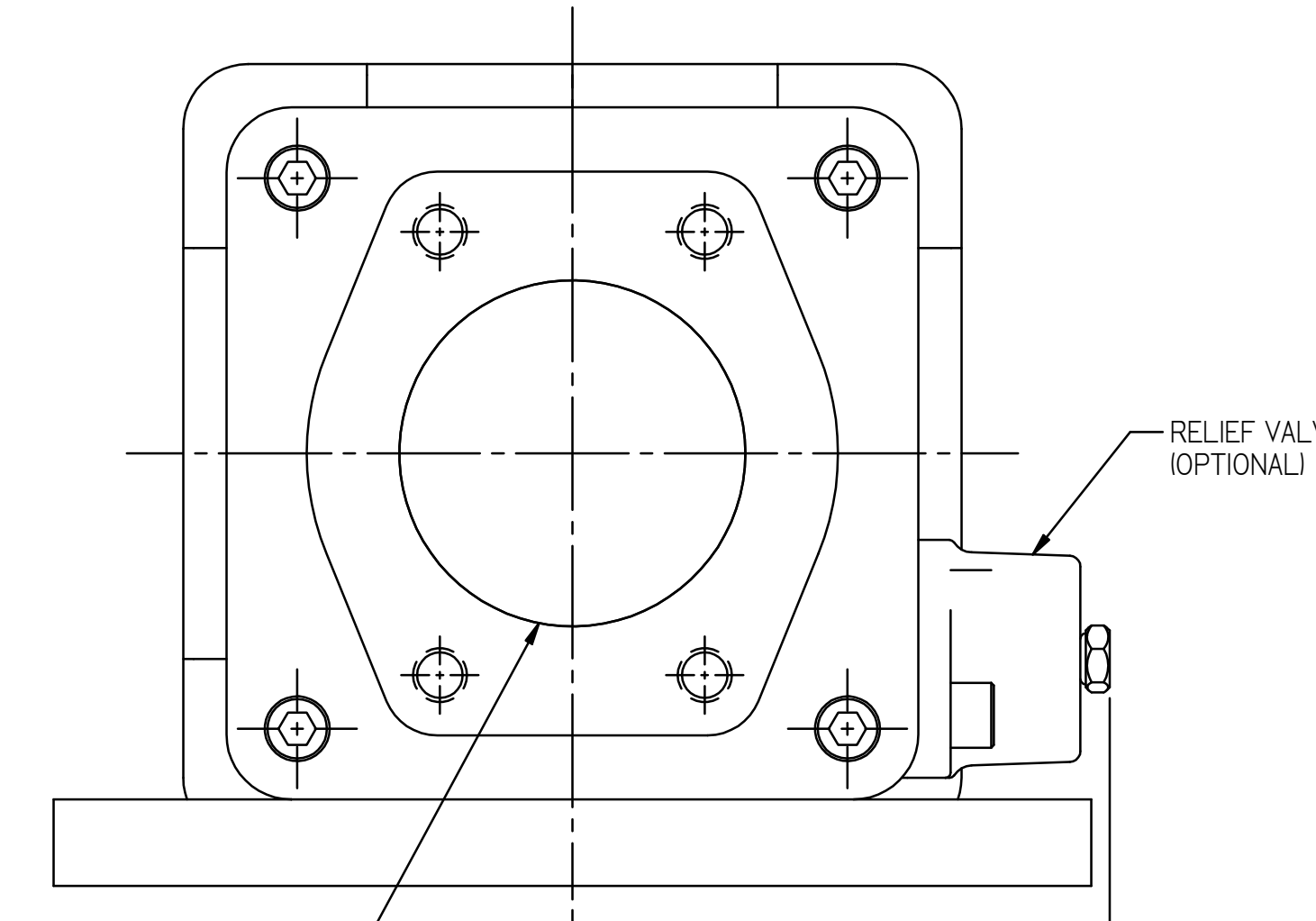
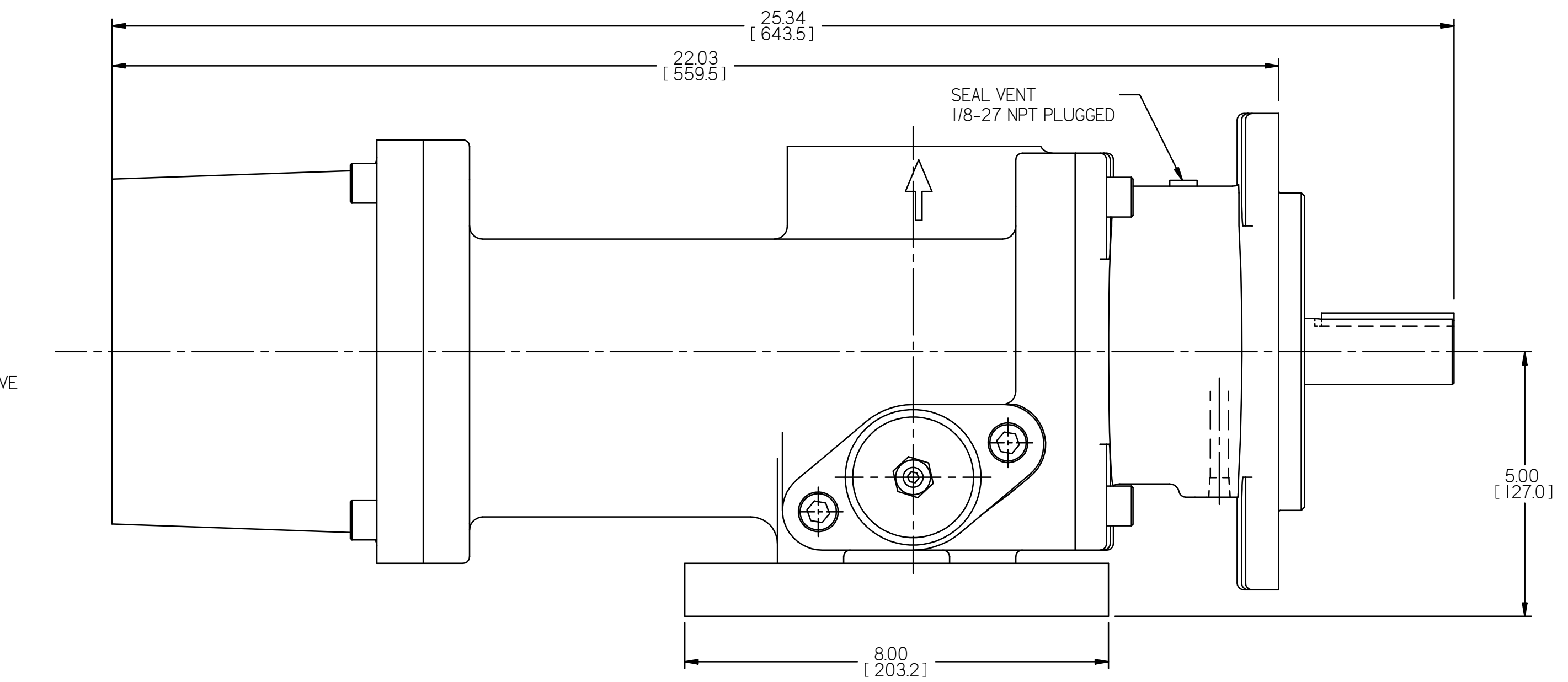


REVISION HISTORY						
CHG NO	ZONE	REV	DESCRIPTION	DATE	BY	APPROVED
22-0000	ALL	11	UPDATED TITLE BLOCK, FORCES & MOMENTS STAMP	1-27-22	CDG	CDG



VIEWS FOR ALTERNATIVE AXIAL INLET, FOOT MOUNT, WEEP HOLE, AND RELIEF VALVE CONFIGURATIONS



CUSTOMER NAME:

CUSTOMER PURCHASE ORDER NUMBER:

CUSTOMER PART NUMBER:

BILL OF MATERIAL NUMBER:

PUMP TYPE:

SHAFT ROTATION:

INLET PORT ORIENTATION:

OUTLET PORT ORIENTATION:

FOOT BRACKET ORIENTATION:

INLET PORT OPTION:

INLET ADAPTER OPTION:

OUTLET ADAPTER OPTION:

RELIEF VALVE SET PRESSURE:

IF APPLICABLE

OTHER INFORMATION

CERTIFIED BY:

CERTIFIED DATE:

IMO ORDER NUMBER:

DATA REVISION NUMBER:

COORDINATE SYSTEM FOR MAXIMUM PUMP FORCES (F) AND MOMENTS (M)

	LB F	N
INLET: Fx, Fy, Fz	300	1334
OUTLET: Fx, Fy, Fz	188	836

	LB FT	Nm
INLET: Mx, My, Mz	500	678
OUTLET: Mx, My, Mz	313	424

FORCE AND MOMENT VALUES ARE RELATIVE TO CENTER OF INLET AND OUTLET PORT FACES.

- NOTES:
- TO MAXIMIZE SEAL LIFE, SEAL VENT MUST BE ORIENTED UPWARD (12 O'CLOCK) WHEN PUMP IS INSTALLED HORIZONTALLY. VENT ORIENTATION IS NOT CRITICAL WHEN PUMP IS INSTALLED WITH SHAFT VERTICALLY UPWARD.
 - PORT, FOOT, AND SEAL VENT ORIENTATIONS ARE SUPPLIED AS SHOWN ON DRAWING UNLESS OTHERWISE SPECIFIED.
 - ALTERNATE PORT AND FOOT ORIENTATIONS ARE PROVIDED IF SPECIFIED ON ORDER. AVAILABLE ORIENTATIONS ARE 3, 6, 9, AND 12 O'CLOCK.
 - BOLT PATTERN FOR SAE 4-BOLT AXIAL INLET IS ALWAYS ORIENTED AS SHOWN WITH RESPECT TO OUTLET PORT.
 - APPROXIMATE PUMP WEIGHT (WITHOUT ADAPTERS):
FLANGE MOUNT PUMP-----190 LBS. [86.2 kgs]
FOOT MOUNT PUMP-----220 LBS. [99.8 kgs]
 - UNLESS OTHERWISE SPECIFIED, ALL DIMENSIONS ARE IN INCHES. DIMENSIONS IN [] ARE MILLIMETERS.

DRAWN	VAH	09-13-01		
CHECKED	DMM	11-21-01		
APPROVED	BES	11-21-01	TITLE: OUTLINE STANDARD (IRON) 3G/[250]	
MATERIAL	UNLESS OTHERWISE SPECIFIED ASME Y14.5M-1994		SIZE	59180
PROCESS	ELEMENTS: SELECTION STRAINER AND DISCHARGE RELIEF VALVE MUST BE PROVIDED ALIGNMENT: UNITS ARE ACCURATELY ALIGNED AT THE FACTORY. ALIGNMENT SHOULD BE CHECKED BEFORE STARTING TO ENSURE THAT IT IS STILL WITHIN COS ID (3) FM. PRECAUTIONS: FLUSH SUCTION PUMP BEFORE CONNECTING PUMP. PRIME AND VENT PUMP. READ INSTRUCTION MANUAL FOR DETAILS BEFORE STARTING.		FIRST ORDER	E1109A
USED ON			SCALE	1/2
			WEIGHT	SEE NOTE 5
			SHEET	1 OF 1

IRON 3G-250