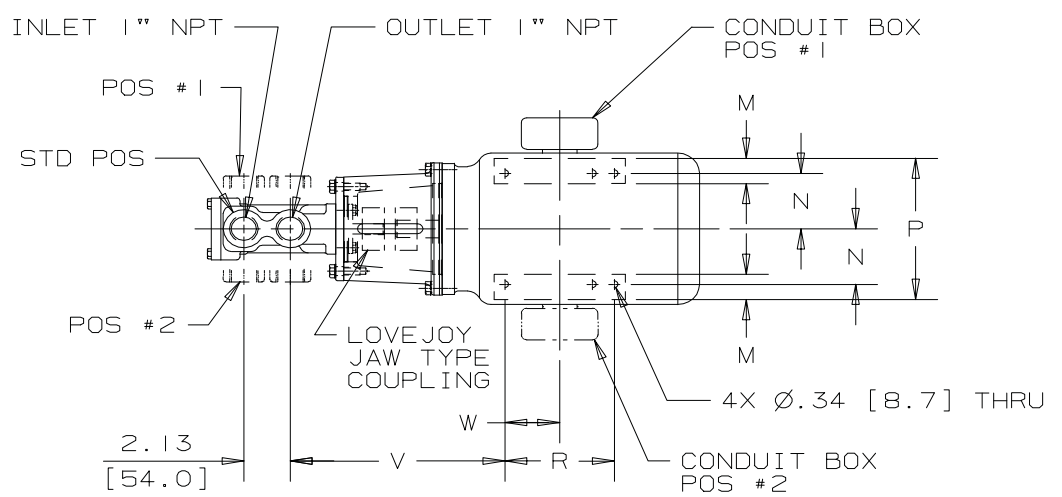
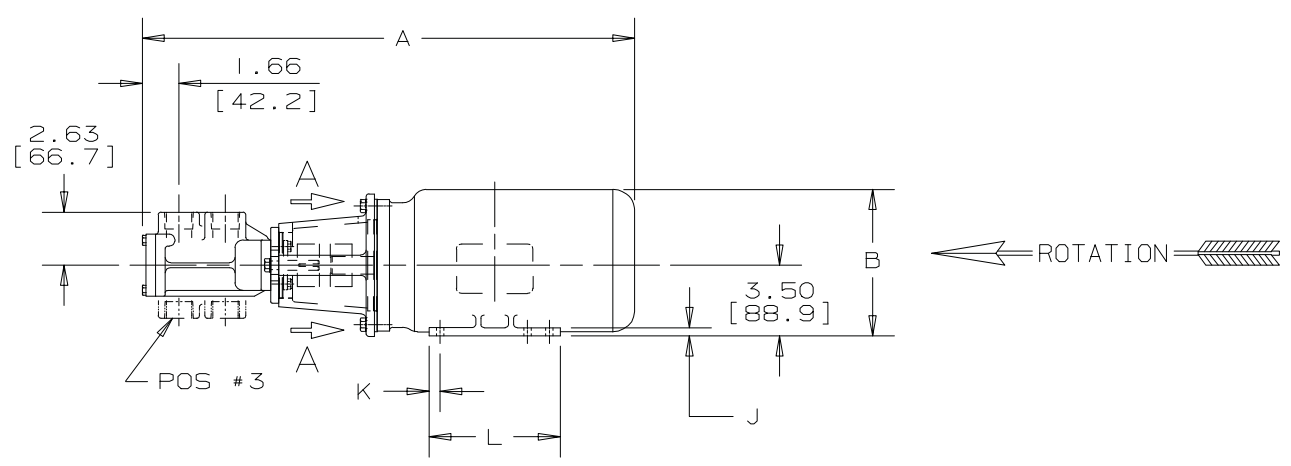
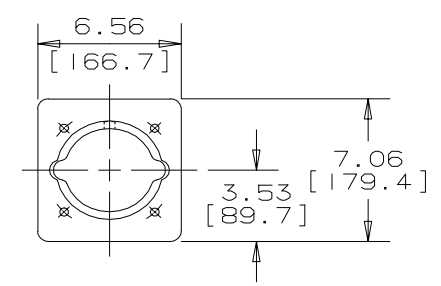


✓	ITEM NO.	NEMA MOTOR FRAME	UNITS	A	B	C					J	K	L	M	N	P	R	T	V	W		APPROX. UNIT WT. LB/[kg]	COUPLING MODEL NO.	
	001	56C	INCHES [mm]	23.0 [584]	7.1 [179]	3.50 [89]					0.13 [3]	0.50 [13]	4.0 [102]	1.75 [44]	2.44 [62]	6.5 [165]	3.00 [76]	0.34 [9]	9.5 [242]	1.5 [38]		39 [18]	L095	
	002	143/145TC	INCHES [mm]	22.0 / 22.5 [559 / 572]	7.3 [184]	3.50 [89]					0.40 [10]	0.50 [13]	6.0 [152]	1.25 [32]	2.75 [70]	7.0 [178]	4.00 / 5.00 [102 / 127]	0.34 [9]	9.8 [250]	2.0 / 2.5 [51 / 64]		74 [34]	L095	



VIEW A-A



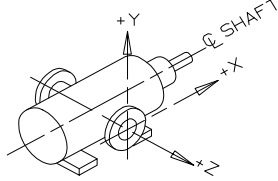
NOTE: UNLESS OTHERWISE SPECIFIED, ALL DIMENSIONS ARE IN INCHES. DIMENSIONS IN [ ] ARE MILLIMETERS.

**DRAWING CERTIFICATION**

CUSTOMER NAME -----  
CUSTOMER PO NUMBER ----  
CUSTOMER PART NUMBER --  
UNIT BILL OF MAT'L NO.-  
PUMP TYPE -----  
ITEM NUMBER -----  
SHAFT ROTATION -----  
PORT POSITION -----  
MOTOR MANUFACTURER ----  
MOTOR TYPE -----  
FRAME SIZE -----  
POWER -----  
ROTATING SPEED -----  
PHASES -----  
FREQUENCY -----  
VOLTAGE -----  
MOTOR WEIGHT -----  
CONDUIT BOX POSITION --  
MOTOR INSTALLED BY ----  
CERTIFIED BY -----  
CERTIFICATION DATE ----  
IMO ORDER NUMBER -----  
CERTIFICATION REV. NO.-

**NOTES**

**MAX. ALLOWABLE FORCES & MOMENTS ON PORTS**



- COORDINATE SYSTEM FOR MAXIMUM PORT FORCES (F) AND MOMENTS (M).  
- FORCE AND MOMENT VALUES ARE RELATIVE TO CENTER OF INLET AND OUTLET PORT FACES.

	FORCE	LBF	[N]	MOMENT	LB-FT	[N·m]
INLET	FX	18.8	[83.4]	MX	31.3	[42.4]
	FY	18.8	[83.4]	MY	31.3	[42.4]
	FZ	18.8	[83.4]	MZ	31.3	[42.4]
OUTLET	FX	18.8	[83.4]	MX	31.3	[42.4]
	FY	18.8	[83.4]	MY	31.3	[42.4]
	FZ	18.8	[83.4]	MZ	31.3	[42.4]

- NOTES ---
- THIS IS A STANDARD PRE-ENGINEERED UNIT OUTLINE. ANY CHANGES OUTSIDE THE CERTIFICATION BLOCK WILL REQUIRE A NEW DRAWING ASSIGNMENT.
  - ALTERNATE PORT POSITIONS ARE PROVIDED IF SPECIFIED ON ORDER. AVAILABLE POSITIONS ARE STD, #1, #2 & #3.
  - DRIVER DIMENSIONS MAY VARY WITH TYPE AND MAKE OF DRIVER.
  - STANDARD SHAFT ROTATION IS CLOCKWISE WHEN FACING COUPLING END OF PUMP.
  - REVIEW GENERAL INSTRUCTION MANUAL FOR ALIGNMENT, PIPING, INLET STRAINER, DISCHARGE RELIEF VALVE, SEAL, VENT, ETC., CONSIDERATIONS BEFORE INSTALLING AND OPERATING UNIT.

REV. NO.	ECR NO.	DATE	APPROVED BY
1	02-0203	7/22/2002	BMR



DRAWN BY	DATE	APPROVED BY	DATE
D.Mashburn	5/11/2001	M.Vena	5/14/2001
CHECKED BY	DATE	FIRST ORDER NUMBER	
M.Vena	5/14/2001	EB122A	

STANDARD UNIT OUTLINE DRAWING			
IRON & STEEL CASE FLANGE MOUNT 3E87/95			
CAGE CODE	DWG SIZE	SHEET	DRAWING NUMBER
59180	B	1 of 1	<b>SDD20073</b>