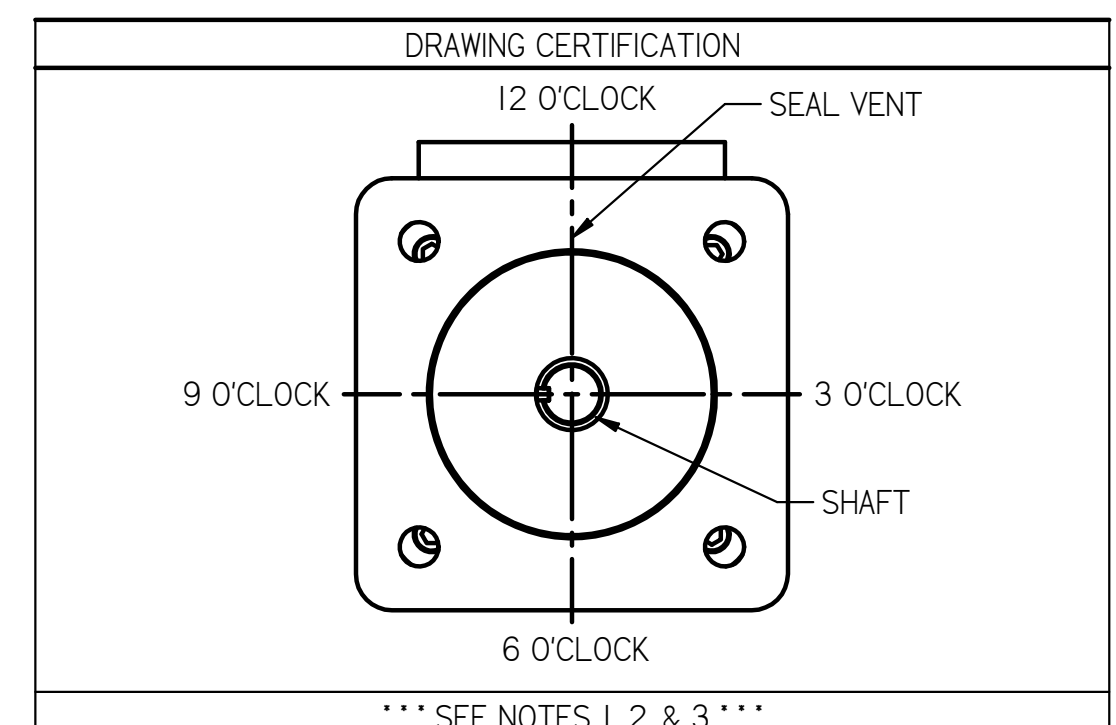
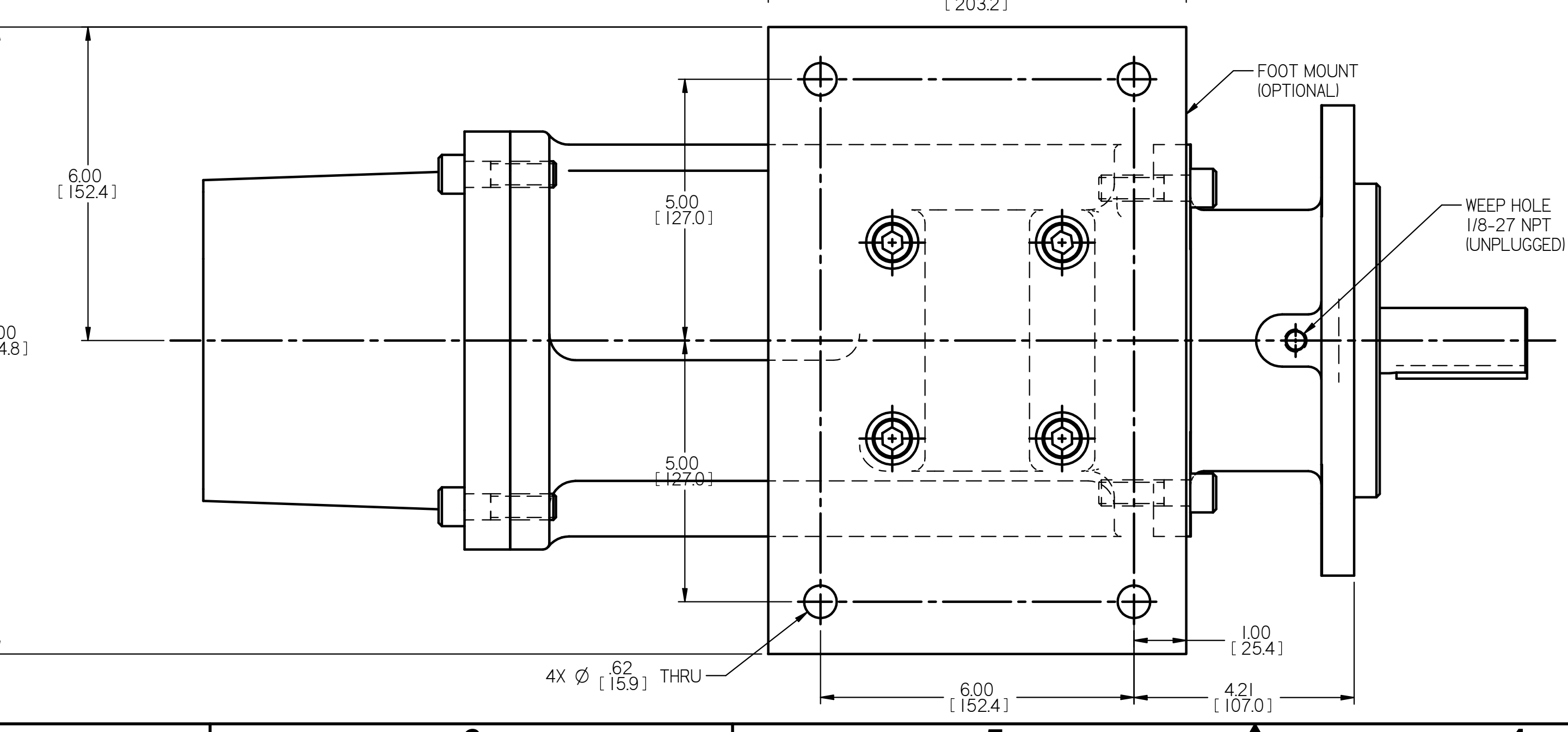
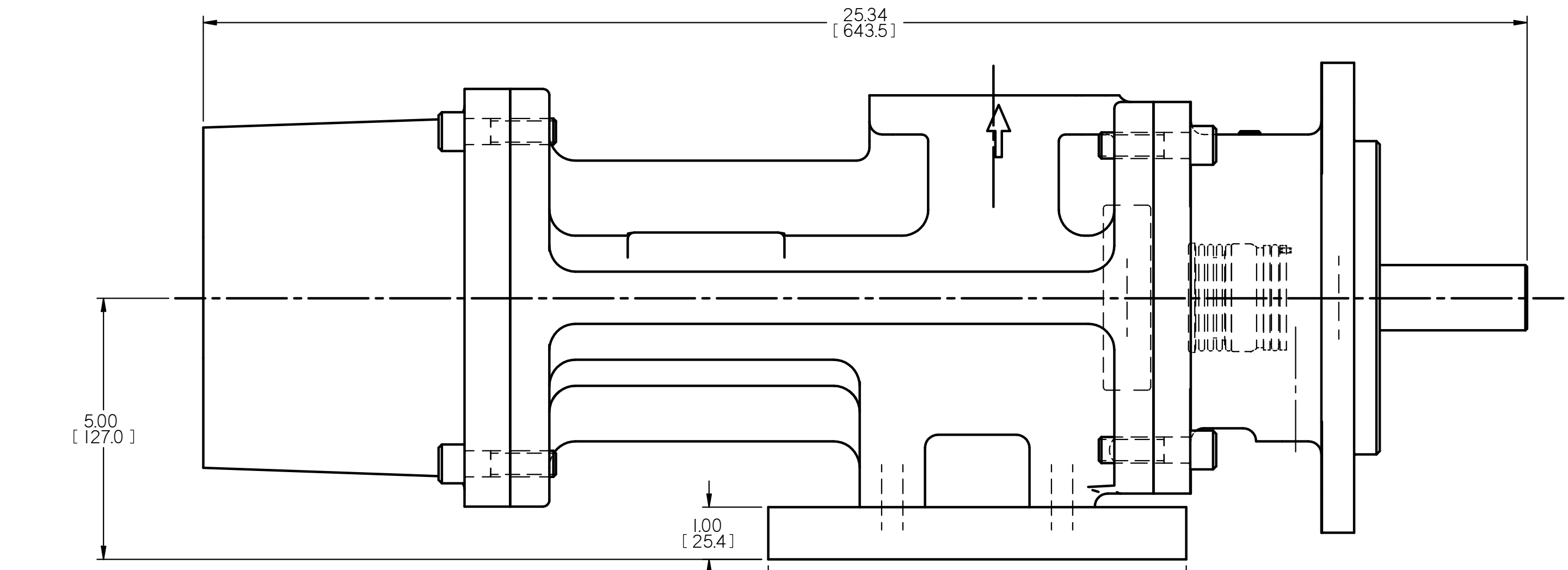
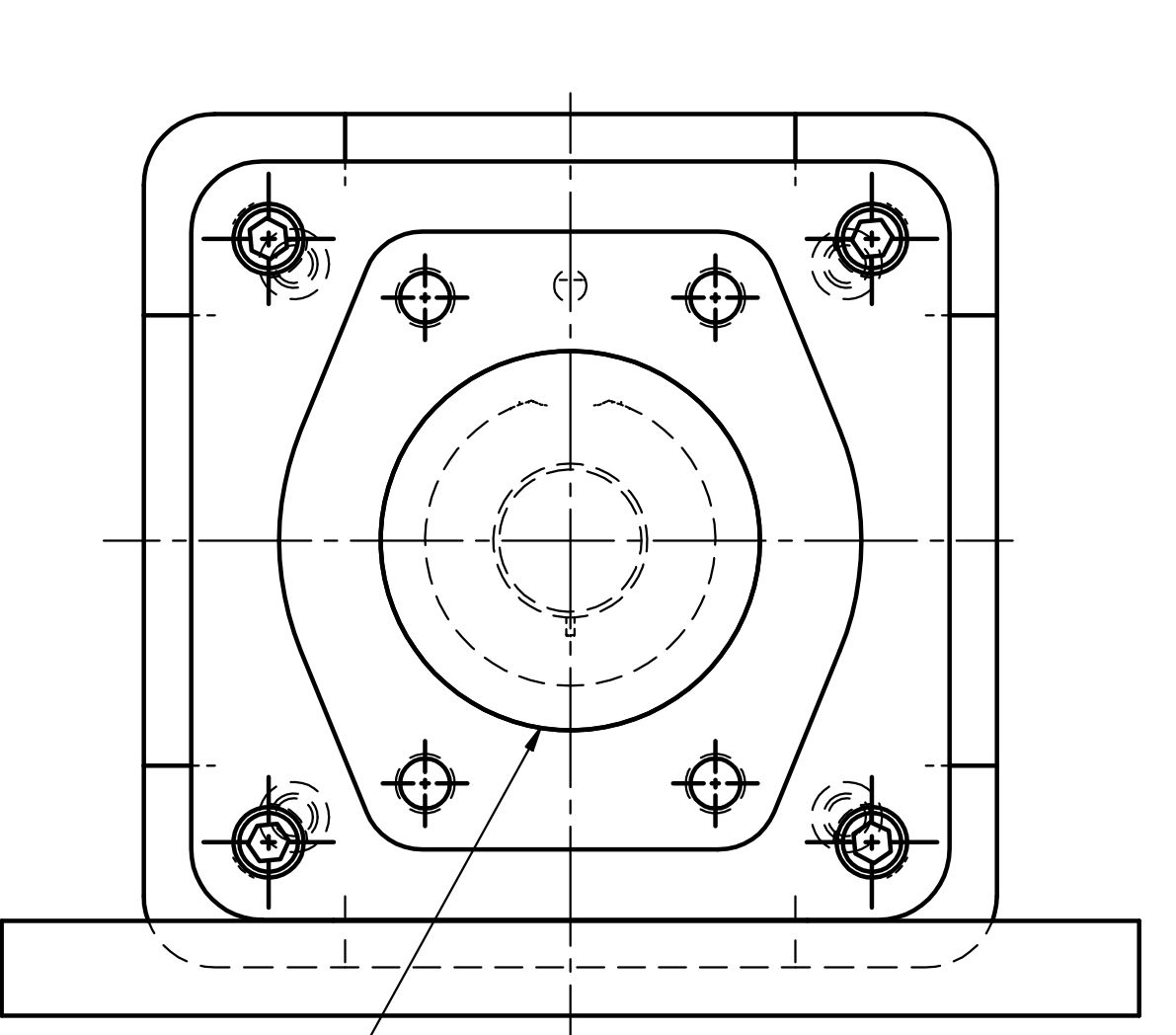
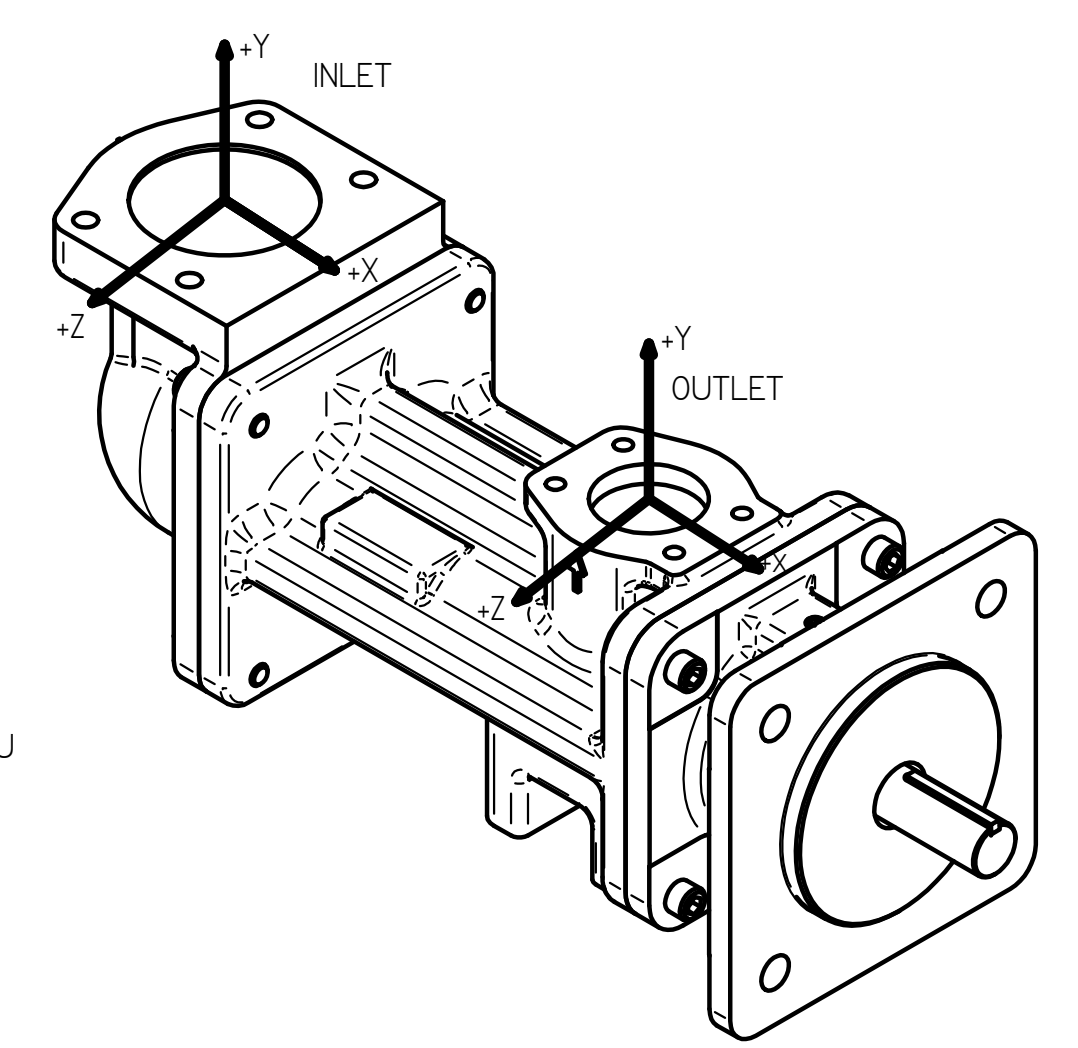
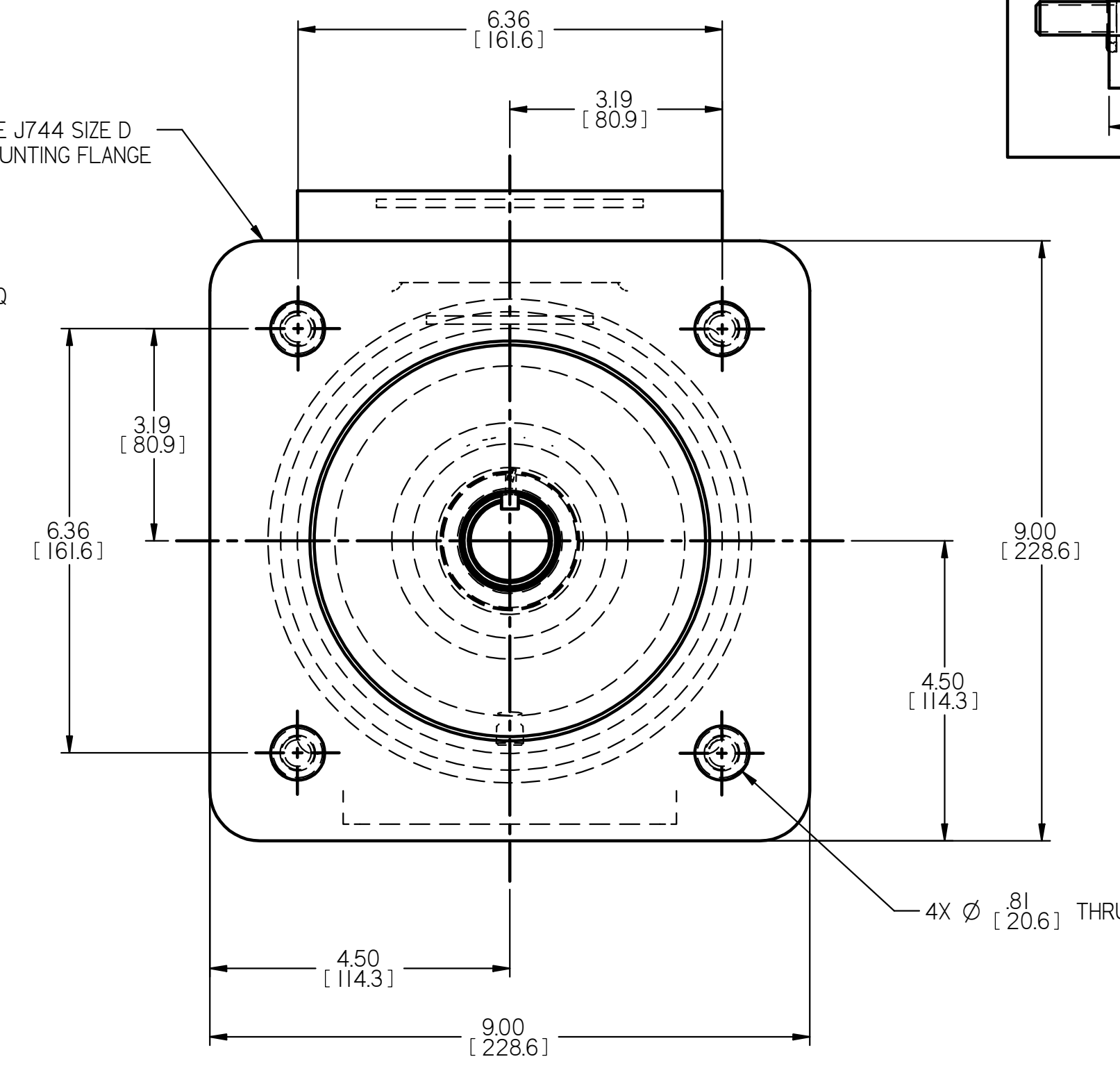
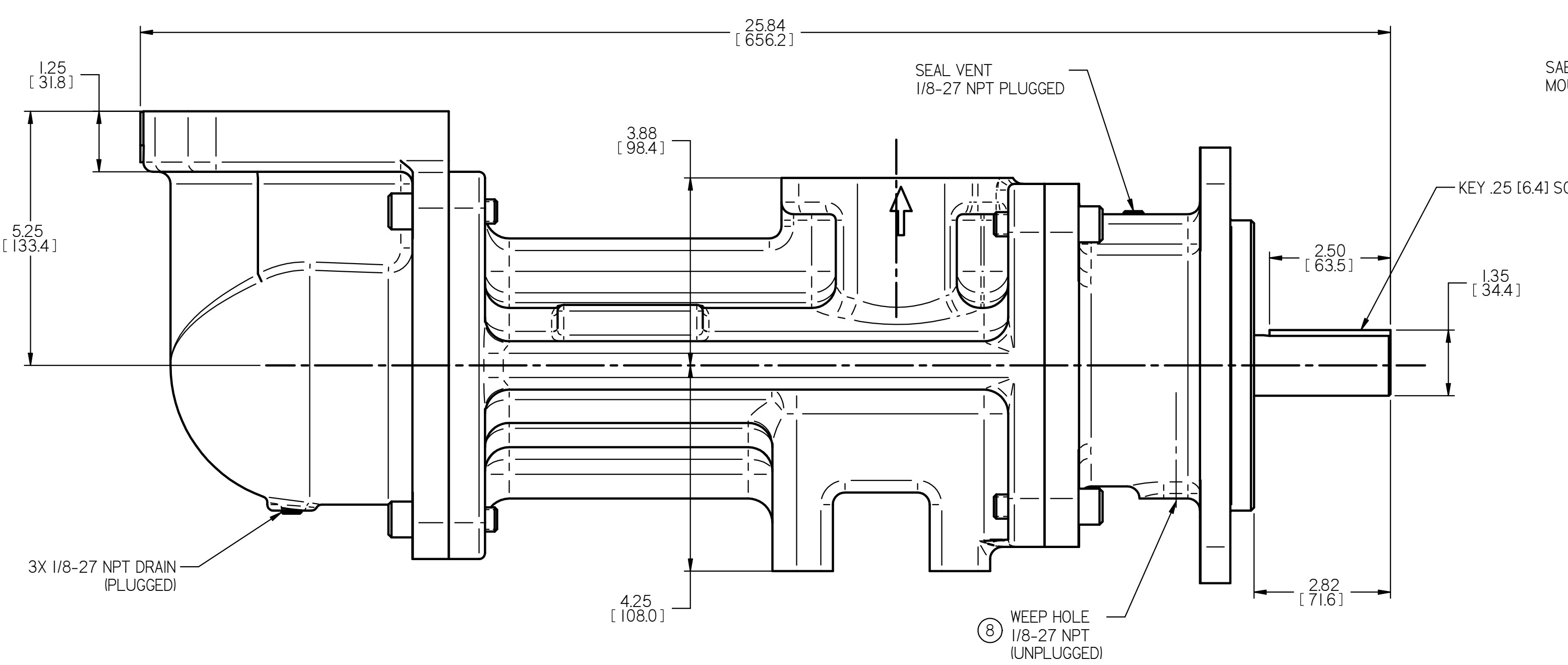
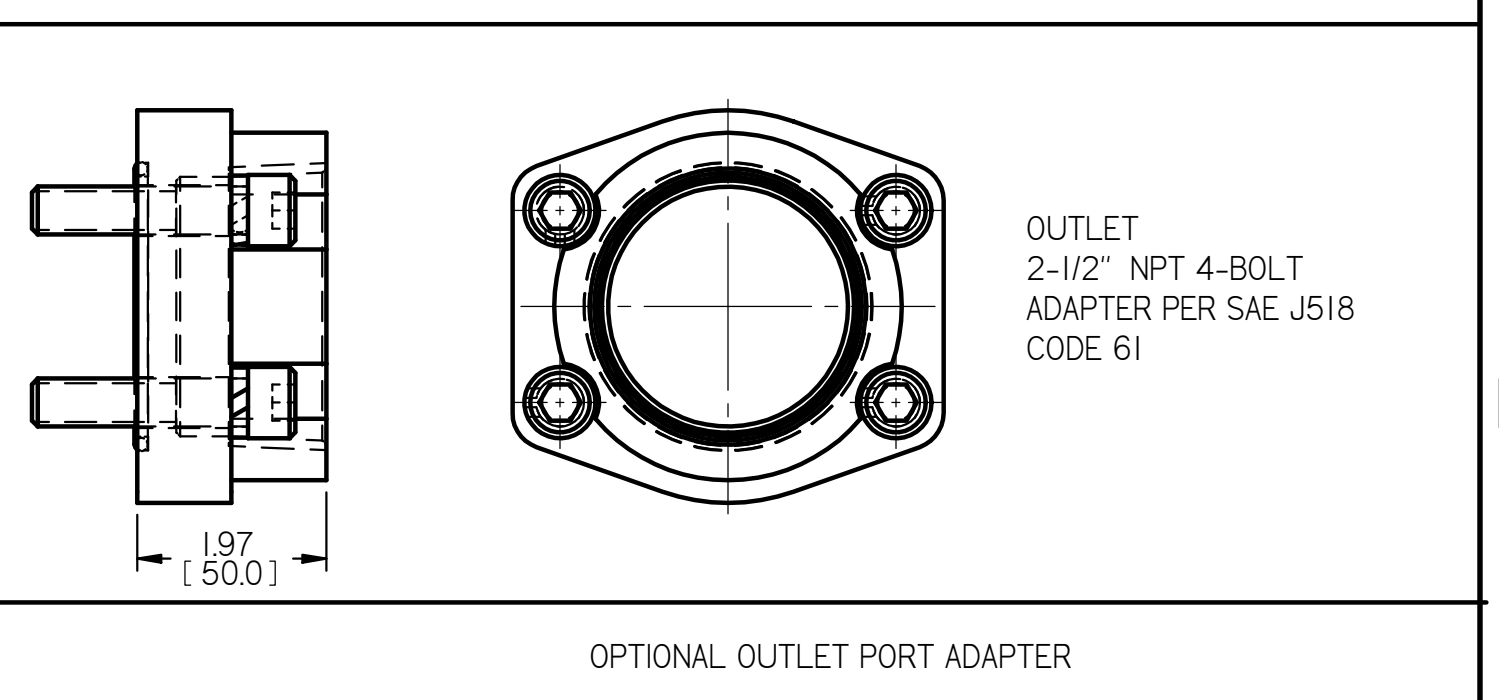
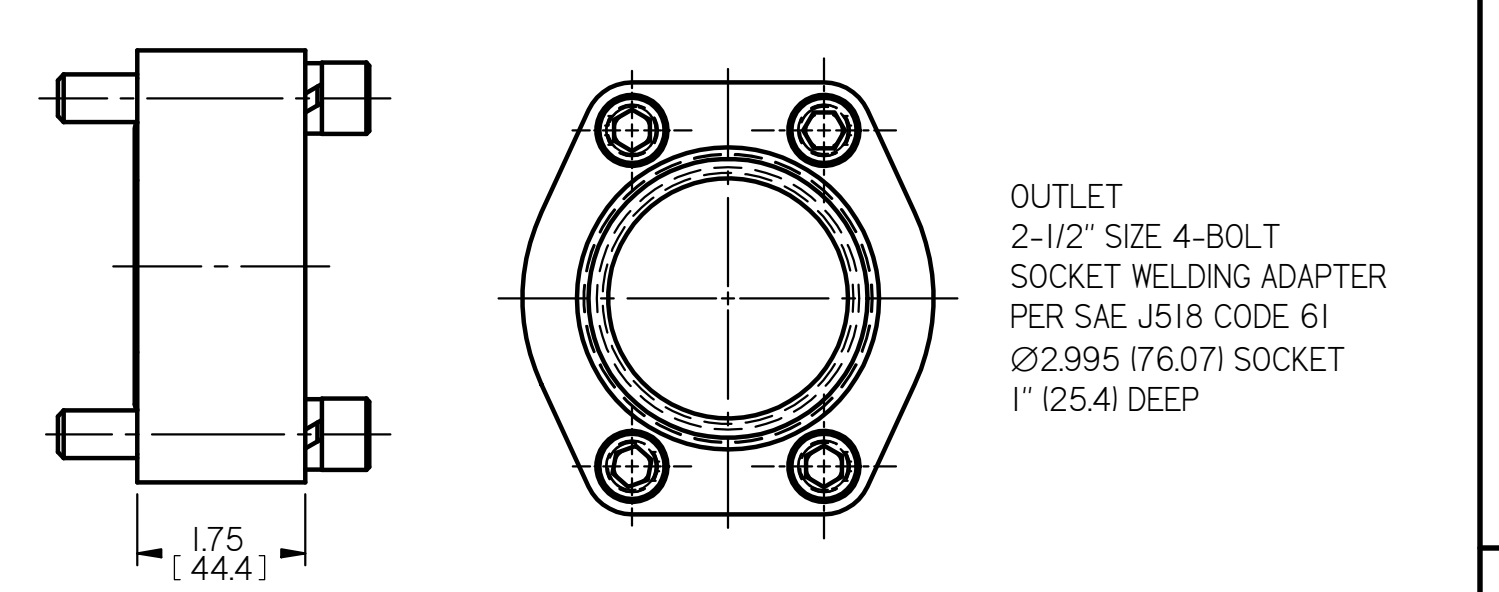


REVISION HISTORY						
CHG NO	ZONE	REV	DESCRIPTION	DATE	BY	APPROVED
16-0255	D6	10	ADDED 1/8-27 DRAIN NOTE	12-17-15	CHH	CHH
22-0000	ALL	11	UPDATED TITLE BLOCK, FORCES & MOMENTS STAMP	1-27-22	CDG	CDG



COORDINATE SYSTEM FOR MAXIMUM PUMP FORCES (F) AND MOMENTS (M)			
	LB F	N	
INLET: Fx, Fy, Fz	300	1334	
OUTLET: Fx, Fy, Fz	188	836	
	LB FT	Nm	
INLET: Mx, My, Mz	500	678	
OUTLET: Mx, My, Mz	313	424	

FORCE AND MOMENT VALUES ARE RELATIVE TO CENTER OF INLET AND OUTLET PORT FACES.

CUSTOMER NAME: _____

CUSTOMER PURCHASE ORDER NUMBER: _____

CUSTOMER PART NUMBER: _____

BILL OF MATERIAL NUMBER: _____

PUMP TYPE: _____

SHAFT ROTATION: _____

INLET PORT ORIENTATION: _____

OUTLET PORT ORIENTATION: _____

FOOT BRACKET ORIENTATION: _____

INLET PORT OPTION: _____

INLET ADAPTER OPTION: _____

OUTLET ADAPTER OPTION: _____

RELIEF VALVE SET PRESSURE: _____ IF APPLICABLE

OTHER INFORMATION

CERTIFIED BY _____

CERTIFIED DATE _____

IMO ORDER NUMBER _____

DATA REVISION NUMBER _____

- NOTES:
- TO MAXIMIZE SEAL LIFE, SEAL VENT MUST BE ORIENTED UPWARD (12 O'CLOCK) WHEN PUMP IS INSTALLED HORIZONTALLY. VENT ORIENTATION IS NOT CRITICAL WHEN PUMP IS INSTALLED WITH SHAFT VERTICALLY UPWARD.
 - PORT, FOOT, AND SEAL VENT ORIENTATIONS ARE SUPPLIED AS SHOWN ON DRAWING UNLESS OTHERWISE SPECIFIED
 - ALTERNATE PORT AND FOOT ORIENTATIONS ARE PROVIDED IF SPECIFIED ON ORDER. AVAILABLE ORIENTATIONS ARE 3, 6, 9, AND 12 O'CLOCK.
 - BOLT PATTERN FOR SAE 4-BOLT AXIAL INLET IS ALWAYS ORIENTED AS SHOWN WITH RESPECT TO OUTLET PORT.
 - APPROXIMATE PUMP WEIGHT (WITHOUT ADAPTERS)
 FLANGE MOUNT PUMP-----190 LBS. (86.2 kgs)
 FOOT MOUNT PUMP-----220 LBS. (99.8 kgs)
 - UNLESS OTHERWISE SPECIFIED, ALL DIMENSIONS ARE IN INCHES. DIMENSIONS IN [] ARE MILLIMETERS

MATERIAL _____

PROCESS _____

UNLESS OTHERWISE SPECIFIED
 ASME Y14.5M-1994

EDMOUNTS
 SUCTION STRAINER AND DISCHARGE RELIEF VALVE MUST BE PROVIDED
 ALIGNMENT
 UNITS ARE ACCURATELY ALIGNED AT THE FACTORY. ALIGNMENT SHOULD
 BE CHECKED BEFORE STARTING TO ENSURE THAT IT IS STILL WITHIN TOL
 (0.01MM)
 PRECAUTIONS
 FLUSH SUCTION PUMP BEFORE CONNECTING PUMP. PRIME AND VENT
 PUMP. READ INSTRUCTION MANUAL FOR DETAILS BEFORE STARTING.

DRAWN	VAH	9-13-01		
CHECKED	DMM	11-21-01		
APP'D	BES	11-21-01		
TITLE	OUTLINE STANDARD [STEEL]			
	3G/_S_[250]_			
FIRST ORDER	E1109A	59180	SDD19982	
SCALE	1/2	WEIGHT	SEE NOTE 5	SHEET 1 OF 1